



CZ

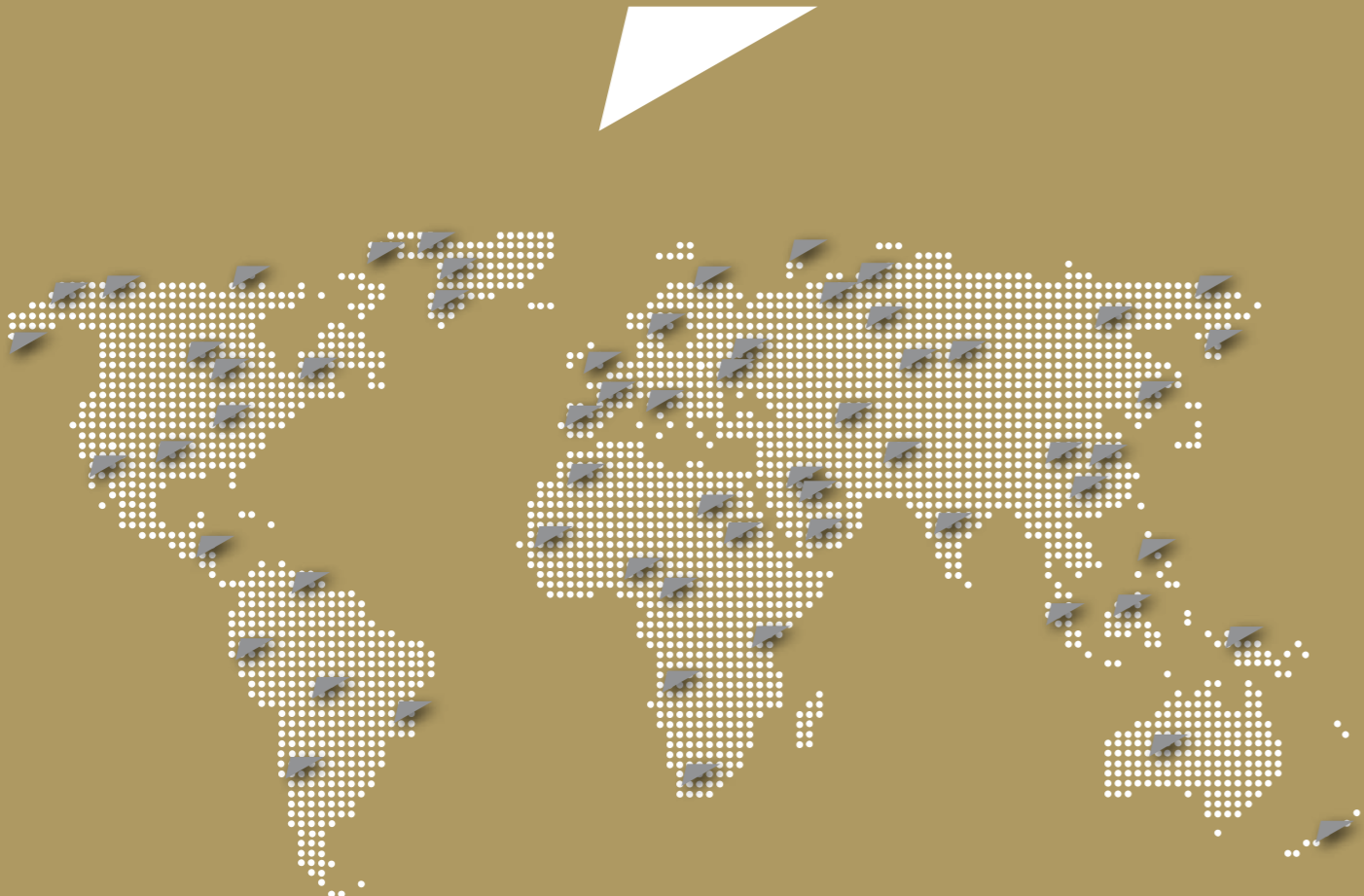
For those
who know

PRODUCTS CATALOGUE



CONTENT

Our products are distributed
to more than 100 countries all over the world



PISTOLS	6
CZ TS 2 SERIES	8
CZ P-10 SERIES	16
CZ P-07/09 SERIES	28
CZ SHADOW SERIES	34
CZ 75 SERIES	42
CZ KADET SERIES	44
RIMFIRE RIFLES	46
457 SERIES	48
512 SERIES	64
CENTERFIRE RIFLES	66
527 SERIES	68
557 SERIES	74
CZ TSR	80
FIELDSPORTS SHOTGUNS	82
CZ USA SERIES	84
SEMI-AUTOMATIC	90
CZ SCORPION EVO 3 S1 SERIES	92
CZ BREN 2 Ms SERIES	96
ACCESSORIES	100



Dear Customers, Business Partners and Fans of the CZ brand,

As you've just opened our new 2021 product catalogue and started to explore our exciting offer of firearms, I would like to take this opportunity to share some interesting information with you.

Ceska zbrojovka a.s. is part of the CZG holding group, which is composed of carefully selected companies with complementary production programs in the defense and security industry. The newest member of the group is Swedish company SPUHR, of which CZG acquired a minority stake in 2020.

CZ products are very well known and highly appreciated across the globe, with a significant amount of our annual production exported to over half of the world. To help shorten the time between products coming off of the production line and into the hands of our customers, we've decided to expand our production in the USA and are currently pursuing this activity.

Another significant development was the offer of CZG - Ceska zbrojovka Group SE shares on the Prague stock exchange last year. With the purchase of CZG shares, you too can own part of Ceska zbrojovka and thus become a member of the growing CZ family.

Last year's events have affected all of our lives and made it necessary for us to approach things in a new and different way, with a strong emphasis on the use of online technologies. As a leading company in the industry, we introduced our new products through live broadcasts that could be viewed online. We built a television studio, where product managers and sports shooters could present new products at agreed times. Everything is broadcast live and presentations include Q&A sessions with viewers

and listeners during the broadcast. Journalists, business partners and other viewers greatly appreciate this online activity, which allows us to remotely present and convey important business information that is needed for our further development.

As I have already indicated, we have not slowed down our efforts to come to market with new and improved products. We have traditionally worked with leading experts in the field for development of our innovative firearms. We also pay close attention to the valuable feedback provided by our wide group of users, which helps us to further refine our product offerings.

A new addition to our 2021 catalogue is the CZ TS 2 sport pistol series, which consists of three models – CZ TS 2, CZ TS 2 RACING GREEN and CZ TS 2 DEEP BRONZE. Our goal with this new series is to provide the most suitable sport shooting tool for both beginning and professional sport shooters, which is the reason we have launched three distinct models on the market. Each shooter now has the opportunity to choose the weapon that best suits their skill level and financial means. This CZ TS 2 series was presented to customers in an exciting video hosted by the phenomenal sport shooter and IPSC World Champion Eric Grauffel. We have the honor of working together with Eric and having him on our world-class CZ Shooting Team.

Among the other new weapons added to this year's catalogue include models from the CZ P-10 series, which includes the new CZ P-10 F 45 Auto, that are fully prepared for the mounting of a red dot sight and/or suppressor. Hunters and sport shooters that utilize long guns will also be happy to hear that we have a few new models in our CZ 457 rifle series that include the CZ 457 STAINLESS, CZ

457 AT-ONE and CZ 457 SYNTHETIC SET, not to mention the exciting new addition of CZ shotguns to our portfolio. The popular CZ BREN 2 semi-auto rifle range has been expanded as well to include the CZ BREN 2 Ms CARBINE model model with a 16.5" barrel.

We are confident that you will appreciate our continuously expanding range of accessories that give you the means to tailor CZ weapons to your personal shooting style and preferences. And if you would like to experience the ultimate in firearm customization straight from the CZ production line, we would invite you to try our online CZ Configurator (www.czconfigurator.com) where you can build selected CZ firearms to your exact specifications. The CZ Configurator is currently available for customers in the Czech Republic, Slovakia, Poland and Germany, with plans in place for expansion to other countries in the near future.

I believe you will be pleased with the products presented in this newest CZ catalogue and will find the perfect firearm that meets your exact wants and needs.

On behalf of everyone at CZ, we look forward to speaking with you in person at upcoming exhibitions and presentations. We truly miss having direct personal contact with you.

Sincerely,

Jan Zajic
CEO and Chairman of the Board
Ceska zbrojovka a.s.



PISTOLS

CZ leads the world with a comprehensive line of advanced pistols that sees continuous innovation and expansion of models. All categories are covered, from supercompacts to full-size models and sport specials. Pistols within the different series are made from both traditional and modern, cutting edge materials with a selection of hammer-fired and striker-fired models. Keeping with the latest trends, selected models come ready for the installation of a suppressor and/or a red dot sight. In addition to standard large-caliber models, the CZ range also includes rimfire adapters and semi-automatic .22 LR pistols for practicing and training.

IT'S YOU, YOUR AIM
AND YOUR GUN.
"IT'S ON."

CZ TS 2 SERIES

A new generation of single-action sport pistols optimized for the IPSC Standard Division, with additional models also suitable for target shooting.

The main benefits of the CZ TS 2 series include increased accuracy and durability, improved frame and slide geometry, aggressive checkering, fiber optic front sight (1mm, red), high quality finish, long service life and high reliability with various types of ammunition, machined duralumin magwell, and a wide range of components and accessories for extensive user customization. Each model comes with three magazines and a pin for replacement of the slide stop.

**THE CHOICE
OF CHAMPIONS**

ERIC GRAUFFEL

Main features of the CZ TS 2 SERIES



Height adjustable metal rear sight
(CZ TS 2 DEEP BRONZE, CZ TS 2 RACING GREEN)



1mm red fiber optic front sight for quick
and intuitive aiming



Attractive design of the slide,
frame and sport hammer



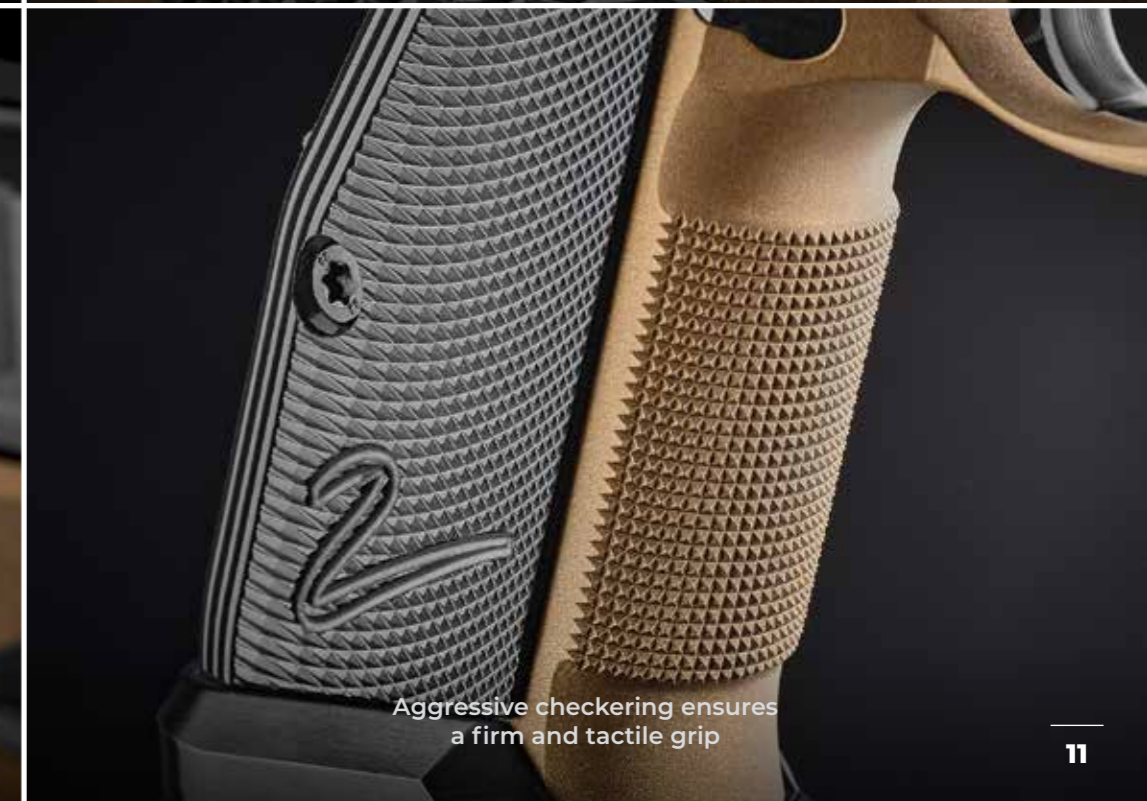
Extended manual safety on left side



Single Action (SA) only trigger mechanism with
short travel and quick reset



Improved ergonomics contribute to
comfortable handling during firing



Aggressive checkering ensures
a firm and tactile grip

The next generation **of our successful CZ TS model** has arrived.

CZ TS 2 SERIES

NEW

Full-size
**CZ TS 2
DEEP BRONZE**

9×19 | 20

A sport special with hand-fitted, custom components for competing in the IPSC Standard Division. It features a matching slide and Bronze Cerakote finished frame, as well as a polished barrel. The flat grips, magazine base and adjustable magazine release are made from black anodized duralumin. A flat slide release and thumb rest come as standard.



MODEL	HEIGHT×WIDTH×LENGTH (mm)	BARREL LENGTH (mm)	WEIGHT (kg)	CALIBER	MAGAZINE CAPACITY	SIGHTS	TRIGGER	FRAME
CZ TS 2 DEEP BRONZE	147×42×225	134	1,35	9×19	20	Fiber optic front sight Height adjustable visor	SA	Steel
CZ TS 2 RACING GREEN	147×42×225	134	1,35	9×19	20	Fiber optic front sight Height adjustable visor	SA	Steel
CZ TS 2	147×42×225	134	1,35	9×19	20/10	Fiber optic front sight fixed rear sight	SA	Steel

NEW

Full-size
**CZ TS 2
RACING GREEN**

9×19 | 20

A more advanced design of the sport special for the IPSC Standard Division with flat, green anodized duralumin grips and magazines with green anodized base plates. Advanced components include a height adjustable rear metal sight, thumb rest, flat slide stop and adjustable, green anodized magazine release.



GRIPS	SAFETY FEATURES
Duralumin	Safety notch on the hammer, Manual safety
Duralumin	Safety notch on the hammer, Manual safety
Duralumin	Safety notch on the hammer, Manual safety

NEW

Full-size
CZ TS 2

9×19 | 20/10

Base model of the new sport special for competing in the IPSC Standard Division or for target shooting. This model is equipped with flat, silver anodized duralumin grips, fixed metal sights and an extended, manual safety on the left side of the pistol (flat safety on the right side).



**THE CHOICE
OF CHAMPIONS**

ERIC GRAUFFEL

PISTOLS

CZ 75 TS SERIES

The choice of champions and the leading pistols in the world for IPSC Standard and Open Divisions

The CZ 75 TS series offers championship sport special quality to a wider range of customers. These pistols are designed primarily for sport shooting in the IPSC Standard or Open Divisions. Thanks to small series production and fine-tuning at the factory, they deliver high performance right out of the box.



Full-size

CZ 75 TS ORANGE

9×19 | 20 .40 S&W | 17

A top of the range sport special for the IPSC Standard Division. The hand-fitted barrel has a significantly longer service life. Prominent checkering on the pistol grip, together with an undercut trigger guard and deep beavertail, improve overall ergonomics and control. New features include a modified safety set (a wide safety on the left and a flat one on the right), enlarged aluminum magazine release and an aluminum trigger.



Full-size

CZ 75 TS CZECHMATE

9×19 | 20 9 MM MAJOR | 20

A sport special that was inspired by the fine-tuned, custom guns of elite shooters in the IPSC Open Division. All components are masterfully machined and matched, broken in and tested. Each pistol is supplied with an extensive set of accessories, including a C-more side mount for a red dot sight. You can rest assured that each pistol is ready to perform at its best upon delivery.

MODEL	HEIGHT×WIDTH×LENGTH (mm)	BARREL LENGTH (mm)	WEIGHT (kg)	CALIBER	MAGAZINE CAPACITY	SIGHTS	TRIGGER	FRAME
CZ 75 TS ORANGE	150×45×225	130	1,29	9×19, .40 S&W	20, 17	Fiber optic front sight Height adjustable visor	SA	Steel
CZ 75 TS CZECHMATE	140×62×266	130	1,36	9×19, 9 mm MAJOR	20, 20	Red dot sight, Fixed	SA	Steel

GRIPS	SAFETY FEATURES
Duralumin	Safety notch on the hammer, Manual safety
Duralumin	Safety notch on the hammer, Manual safety

A man with a beard, wearing a black quilted leather jacket over a grey t-shirt, stands by the open door of a dark car. He is holding a black CZ P-10 handgun in his right hand. The background is a blurred outdoor setting.

CZ P-10 SERIES

Large-capacity, striker-fired pistols with polymer frame for self-defense, service and sport shooting

The industry-leading P-10 series is offered in a comprehensive array of sizes, from supercompact (CZ P-10 M) to subcompact (CZ P-10 S), compact (CZ P-10 C), semi-compact (CZ P-10 SC) and full-size (CZ P-10 F). Most models are also available with a design that allows for the easy installation of a suppressor and/or red dot sight.

All CZ P-10 series pistols feature maximum reliability, high accuracy, a long service life and shooting comfort. The sophisticated grip and checkering were created in accordance with the modern ergonomic DiFEND method, which significantly contributes to extreme user-friendliness. The very first model released in this series, the CZ P-10 C compact, was named "2017 Gun of the Year" by the prestigious American magazine "Guns & Ammo".

Main **features of the CZ P-10 SERIES**



Extremely durable and weather resistant finish on slide and barrel



Front and rear cocking serrations for comfortable and safe handling



Lightweight and durable fiberglass-reinforced polymer frame is mechanically strong and thermally stable



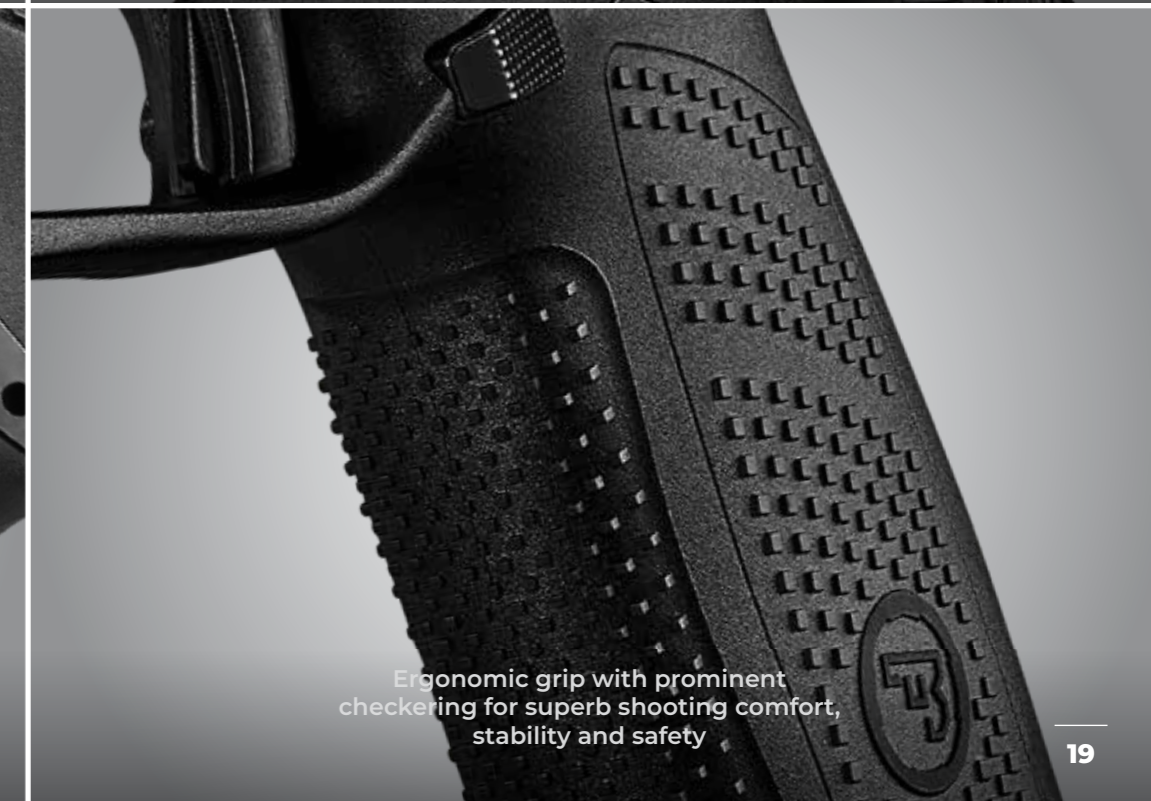
Flat ambidextrous slide stop (CZ P-10 S, C, SC and F models)



Swappable magazine release is right- and left-handed friendly



Three easily interchangeable backstrap sizes to modify grip and finger reach



Ergonomic grip with prominent checkering for superb shooting comfort, stability and safety



NEW

Full-size
CZ P-10 F 45 AUTO

45 AUTO | 13

The first pistol in the successful CZ P-10 series chambered in the timeless 45 Auto. This high-powered, full-size model combines an increased 13 + 1 firing capacity with key benefits of the CZ P-10 family, which include excellent ergonomics, light trigger pull, high accuracy, impressive durability, extreme reliability and precise construction.

NEW

Full-size
CZ P-10 F OR SR

9×19 | 19



A full-size pistol for fans of modern optics and users who are allowed by local legislation to mount a suppressor. The slide design allows users to easily mount a red dot sight and is also equipped with high iron sights. The extended barrel comes with 1/2" x 28 UNEF - 3A threading.

NEW

Full-size
CZ P-10 F OR

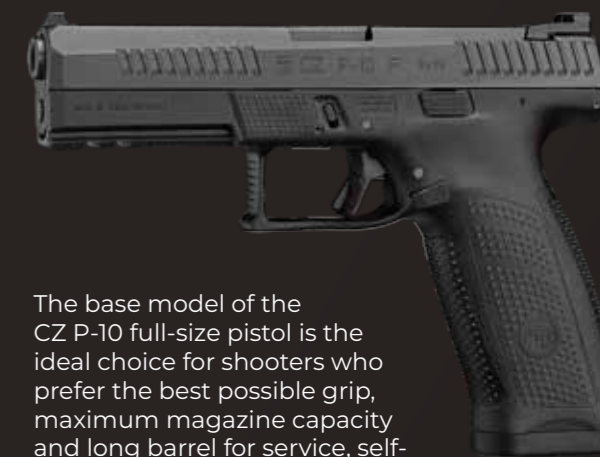
9×19 | 19



The CZ P-10 F OR (Optics-Ready) has been designed for the increasingly popular option of mounting a red dot sight quickly and easily. The original CZ mounting interface is known for its robustness, strength, durability, low installation height and easy aiming with the red dot sight at short to long distances. This model also comes with high (co-witness) iron sights in case optics are damaged or fail.

Full-size
CZ P-10 F

9×19 | 19 9×21 | 19



The base model of the CZ P-10 full-size pistol is the ideal choice for shooters who prefer the best possible grip, maximum magazine capacity and long barrel for service, self-defense or sport shooting.

MODEL	HEIGHT*WIDTH*LENGTH (mm)	BARREL LENGTH (mm)	WEIGHT (kg)	CALIBER	MAGAZINE CAPACITY	SIGHTS	TRIGGER	FRAME
CZ P-10 F 45 AUTO	150×34×207	114	0,83	45 AUTO	13	Luminescent / Tritium	SFDA	Fiberglass-reinforced polymer frame
CZ P-10 F OR SR	151×32×225	134	0,80	9×19	19	Luminescent / Tritium	SFDA	Fiberglass-reinforced polymer frame
CZ P-10 F OR	151×32×203	114	0,80	9×19	19	Luminescent / Tritium	SFDA	Fiberglass-reinforced polymer frame
CZ P-10 F	150×32×203	114	0,80	9×19, 9×21	19	Luminescent	SFDA	Fiberglass-reinforced polymer frame

SAFETY FEATURES
Trigger safety, Trigger bar safety, Firing pin block
Trigger safety, Trigger bar safety, Firing pin block
Trigger safety, Trigger bar safety, Firing pin block
Trigger safety, Trigger bar safety, Firing pin block

Semi-compact
CZ P-10 SC OR SR

9×19 | 15 (17)



NEW

Combining the advantages of a compact and full-size pistol, this CZ P-10 series semi-compact model also follows modern trends with a design that allows users to easily mount red dot sights on its modified slide with high (co-witness) iron sights, as well as mounting a suppressor on its extended/threaded barrel.

Semi-compact
CZ P-10 SC

9×19 | 15 (17)



A perfect model for users who would like to carry their pistol as covertly and comfortably as possible, but who also want to maximize the potential of the 9×19 cartridge, as well as the advantages of a long barrel and slide. This semi-compact combines the full-size barrel and slide with a compact fiberglass-reinforced polymer frame.



MODEL	HEIGHT×WIDTH×LENGTH (mm)	BARREL LENGTH (mm)	WEIGHT (kg)	CALIBER	MAGAZINE CAPACITY	SIGHTS	TRIGGER	FRAME	SAFETY FEATURES
CZ P-10 SC OR SR	133×32×225	134	0,78	9×19	15 (17)	Luminescent / Tritium	SFDA	Fiberglass-reinforced polymer frame	Trigger safety, Trigger bar safety, Firing pin block
CZ P-10 SC	132×32×203	114	0,78	9×19	15 (17)	Luminescent	SFDA	Fiberglass-reinforced polymer frame	Trigger safety, Trigger bar safety, Firing pin block

Compact
CZ P-10 C OR SR

9×19 | 15



NEW

The most popular model in the CZ P-10 series with a modified slide for easy mounting of modern red dot sights by users, as well as an extended/threaded barrel for mounting a suppressor. High (co-witness) iron sights come as standard.

Compact
CZ P-10 C OR

9×19 | 15



The OR (Optics Ready) model comes with a modified slide for easy attachment of a red dot sight. This original solution is characterized by its strong and durable assembly, low mounting height, easy aiming with a red dot sight (even at long distances), and the option to use iron sights in the event of the optics failing

Compact
CZ P-10 C

9×19 | 15 (17) 9×21 | 15 (17) .380 AUTO | 15 (17)



Due to its dimensions, innovative design and large firing capacity, this highly advanced and compact striker-fired pistol is suitable for concealed carry as a weapon for self-defense.



MODEL	HEIGHT*WIDTH*LENGTH (mm)	BARREL LENGTH (mm)	WEIGHT (kg)	CALIBER	MAGAZINE CAPACITY	SIGHTS	TRIGGER	FRAME
CZ P-10 C OR SR	133×32×209	122	0,74	9×19	15	Luminescent / Tritium	SFDA	Fiberglass-reinforced polymer frame
CZ P-10 C OR	133×32×187	102	0,74	9×19	15	Luminescent / Tritium	SFDA	Fiberglass-reinforced polymer frame
CZ P-10 C	132×32×187	102	0,74	9×19, 9×21, .380 AUTO	15 (17)	Luminescent / Tritium	SFDA	Fiberglass-reinforced polymer frame

SAFETY FEATURES
Trigger safety, Trigger bar safety, Firing pin block
Trigger safety, Trigger bar safety, Firing pin block
Trigger safety, Trigger bar safety, Firing pin block

Subcompact
CZ **P-10 S OR**

9×19 | 12 (14)



NEW

A subcompact with the slide designed for easy mounting of red dot sights with the proper dimensions. High (co-witness) iron sights enable accurate shooting, even in the event of the optics being damaged or failing.

Subcompact
CZ **P-10 S**

9×19 | 12 (14)



A powerful, large-capacity subcompact with optimized dimensions for concealed carry, while maintaining the best possible shooting comfort, reliability and accuracy. With a larger 12+1 firing capacity, which is impressive for its class, the CZ P-10 S can be easily increased by another two 9 × 19 rounds with the exchangeable magazine base plate.



NEW

Micro
CZ **P-10 M**

9×19 | 7

Despite its radical miniaturization, the CZ P-10 M retains the stand out features that have set the CZ P-10 line apart from other striker-fired pistols, most notably the outstanding ergonomics and superb trigger. With a reduced footprint and width, it has been optimized for comfortable concealed carry, while maintaining a 7+1 capacity with 9×19 mm cartridges. An internal slide stop and user-friendly trigger make the CZ P-10 M an ideal back-up or defensive firearm for everyday carry.

MODEL	HEIGHT×WIDTH×LENGTH (mm)	BARREL LENGTH (mm)	WEIGHT (kg)	CALIBER	MAGAZINE CAPACITY	SIGHTS	TRIGGER	FRAME
CZ P-10 S OR	117×32×170	90	0,71	9×19	12	Luminescent	SFDA	Fiberglass-reinforced polymer frame
CZ P-10 S	116×32×170	90	0,71	9×19	12 (14)	Luminescent / Tritium	SFDA	Fiberglass-reinforced polymer frame
CZ P-10 M	112×25,5×160,5	85	0,57	9×19	7	Luminescent	SFDA	Fiberglass-reinforced polymer frame

SAFETY FEATURES
Trigger safety, Trigger bar safety, Firing pin block
Trigger safety, Trigger bar safety, Firing pin block
Trigger safety, Trigger bar safety

A man with a beard, wearing a black jacket, is shown in profile, holding a CZ P-07/09 polymer pistol with both hands. He is looking down at the gun. The background is a dark, textured wall. The image is part of a promotional advertisement for the CZ P-07/09 series.

CZ *P-07/09*

SERIES

Leading the way in the SA/DA polymer pistol category

The CZ P-07 (compact) and CZ P-09 (full-size) models enjoy an impressive reputation around the world for their comfortable and simple operation, high accuracy even during rapid firing, and absolute reliability in adverse conditions. Their main advantage is the original OMEGA trigger system, which features extremely smooth trigger pull and low pull weight in both single-action and double-action modes. Easily accessible, ambidextrous controls can be easily converted from manual safety to decocker and vice versa. All calibers come with high capacity magazines, which can be further increased with the interchangeable magazine base.

Main **features** of the CZ P-07/09 SERIES



Lightweight and durable fiberglass-reinforced polymer frame is mechanically strong and thermally stable



Sloping front of the slide for easier holstering



Front and rear cocking serrations allow for comfortable and safe handling of slide



Standardized MIL-STD-1913 rail allows for attachment of a flashlight, laser pointer or both



Easy user conversion from manual safety to decocker and vice versa



Three easily interchangeable backstrap sizes to modify grip and finger reach



Refined trigger blade design for fast and reliable pulls in SA/DA modes

Full-size
CZ **P-09 SR**

9×19 | 19

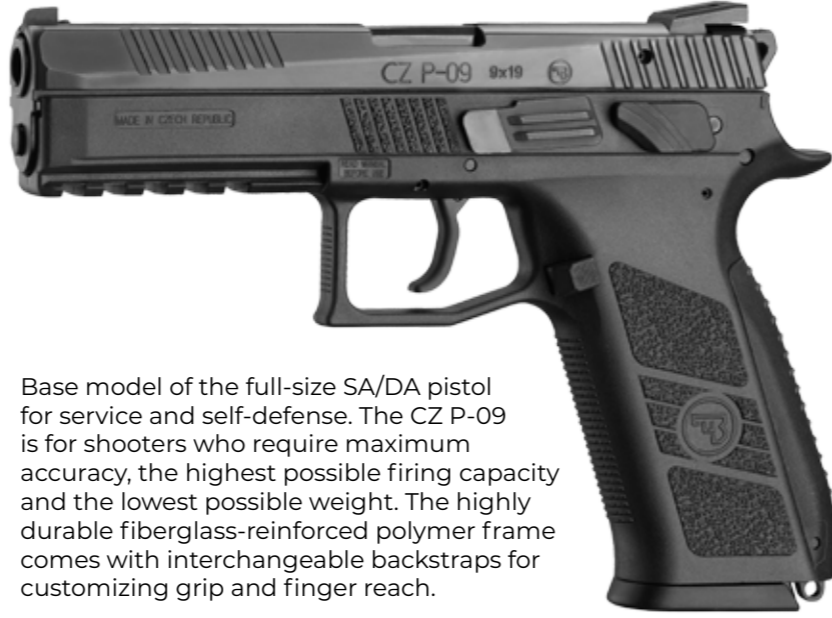


NEW

A full-size model with an extended, threaded muzzle for easy and reliable installation of a suppressor. It's the ideal choice for shooters who care about protecting their ears and respecting their surroundings.

Full-size
CZ **P-09**

9×19 | 19



Base model of the full-size SA/DA pistol for service and self-defense. The CZ P-09 is for shooters who require maximum accuracy, the highest possible firing capacity and the lowest possible weight. The highly durable fiberglass-reinforced polymer frame comes with interchangeable backstraps for customizing grip and finger reach.



VERSION

CZ P-09 FDE

In keeping with modern trends, the standard CZ P-09 model has a variant with tritium sights and a frame that comes with the popular Flat Dark Earth color scheme.

Compact
CZ **P-07 SR**

9×19 | 15 (17)



NEW

Another compact model in this popular series that follows the latest trends of having an extended, threaded muzzle for the easy and reliable installation of a suppressor.

Compact
CZ **P-07**

9×19 | 15 (17) .380 AUTO | 15



An extremely popular model that combines the winning features of the OMEGA trigger mechanism, reduced dimensions and low weight, while retaining a large capacity magazine. The result is an ideal defensive and service firearm that's suitable for concealed carry.

MODEL	HEIGHT×WIDTH×LENGTH (mm)	BARREL LENGTH (mm)	WEIGHT (kg)	CALIBER	MAGAZINE CAPACITY	SIGHTS	TRIGGER	FRAME
CZ P-09 SR	148×37×230	135	0,89	9×19	19	Luminescent	SA/DA	Fiberglass-reinforced polymer frame
CZ P-09	148×37×208	115	0,89	9×19	19	Luminescent	SA/DA	Fiberglass-reinforced polymer frame
CZ P-09 FDE	148×37×208	115	0,89	9×19	19	Tritium	SA/DA	Fiberglass-reinforced polymer frame
CZ P-07 SR	137×37×207	115	0,80	9×19	15 (17)	Luminescent	SA/DA	Fiberglass-reinforced polymer frame
CZ P-07	137×37×185	95	0,80	9×19, .380 AUTO	15 (17), 15	Luminescent	SA/DA	Fiberglass-reinforced polymer frame

SAFETY FEATURES
Firing pin block, Decocker/Manual safety, Safety notch on the hammer
Firing pin block, Decocker/Manual safety, Safety notch on the hammer
Firing pin block, Decocker/Manual safety, Safety notch on the hammer
Firing pin block, Decocker/Manual safety, Safety notch on the hammer
Firing pin block, Decocker/Manual safety, Safety notch on the hammer



CZ SHADOW 2

SERIES

The new king of the IPSC Production Division is the most accurate and fastest pistol within its category in the world

The CZ SHADOW 2 family of sport pistols is the most popular and widespread in the IPSC Production Division due to extremely precise construction using high quality components, and a strong focus on shooter comfort. It is consistently the first choice of the world's top sport shooters and is largely found in the hands of many IPSC title holders. Models within the CZ Shadow 2 range consist of advanced, large-capacity, all-steel sport pistols that allow good shooters to greatly increase their level of performance and the best shooters to triumph at the most prestigious IPSC competitions.

Main features of the CZ SHADOW 2 SERIES



Ergonomic, deep-seated grip for improved control during shooting



Height and side-to-side adjustable rear sight for easy aiming



Adjustable magazine release for maximum reloading speeds



Fiber optic front sight for extreme visibility and increased shooting accuracy



120 mm cold hammer forged barrel



Extended left safety button also serves as thumb rest



Smooth trigger pull and shortened reset



Full-size
CZ SHADOW 2 ORANGE

9×19 | 19/10 9×21 | 19

A perfect gun that elevates your shooting experience and results to an unbelievable level! The superb design base of this model has been further improved by precise gunsmithing modifications and the use of top-quality sport shooting components.

Full-size
CZ SHADOW 2 OR

9×19 | 19/10 9×21 | 19



The CZ SHADOW 2 pistol is extremely fast, yet at some shooting stages, it can be even faster. How can that be possible? By using today's compact red dot sights. The OR (Optics Ready) model allows for their easy, exceptionally low and secure attachment.

Full-size
CZ SHADOW 2 SA

9×19 | 19/10



A target shooting model of the successful sports special with a single-action trigger mechanism and adjustable trigger designed to achieve the most accurate hits.



Full-size
CZ SHADOW 2

9×19 | 19/10 9×21 | 19

The CZ Shadow 2 is an all-steel, large-capacity SA / DA pistol that is currently the most celebrated firearm in today's dynamic sport disciplines. This model is used by winners of the most prestigious IPSC shooting competitions.

CZ SHADOW 2 URBAN GREY

9×19 | 19/10 9×21 | 19

Traditional black is not the only color that suits sport and tactical shooting. Our portfolio therefore includes a model whose frame is coated with a highly durable finish in the trendy and popular Urban Grey color scheme, which beautifully contrasts with the black aluminum grips.



MODEL	HEIGHT×WIDTH×LENGTH (mm)	BARREL LENGTH (mm)	WEIGHT (kg)	CALIBER	MAGAZINE CAPACITY	SIGHTS	TRIGGER	FRAME
CZ SHADOW 2 ORANGE	157 × 34 × 217	120	1,33	9×19, 9×21	19/10, 19	Fiber optic front sight Height adjustable visor	SA/DA	Steel
CZ SHADOW 2 OR	157 × 34 × 217	120	1,33	9×19, 9×21	19/10, 19	Fiber optic front sight Height adjustable visor	SA/DA	Steel
CZ SHADOW 2 SA	157 × 34 × 217	120	1,33	9×19	19/10	Fiber optic front sight Height adjustable visor	SA	Steel
CZ SHADOW 2	157 × 34 × 217	120	1,33	9×19, 9×21	19/10, 19	Fiber optic front sight Height adjustable visor	SA/DA	Steel
CZ SHADOW 2 URBAN GREY	157 × 34 × 217	120	1,33	9×19, 9×21	19/10, 19	Fiber optic front sight Height adjustable visor	SA/DA	Steel

GRIPS	SAFETY FEATURES
Duralumin	Safety notch on the hammer, Manual safety
Duralumin	Safety notch on the hammer, Manual safety
Duralumin	Safety notch on the hammer, Manual safety
Duralumin	Safety notch on the hammer, Manual safety
Duralumin	Safety notch on the hammer, Manual safety

CZ **SHADOW** SERIES

Popular all-steel, large-capacity SA/DA pistol for self-defense, service and competing in IPSC competitions

The CZ 75 SP-01 models are truly universal handguns. And it's not by coincidence – these pistols have been developed in collaboration with members of elite special forces and the best sport shooters on the planet. Their design is based on the timeless concept of the CZ 75, whose key parameters have been brought to absolute perfection. While retaining all user-friendly features, a considerable improvement in accuracy and a major increase in service life have been achieved.



Full-size
CZ 75 SP-01 SHADOW

9×19 | 19/10 9×21 | 15

A modern-day legend. The IPSC Production Division world champions have been fully involved in the development of this all-steel SA/DA large caliber pistol with an external hammer. Thanks to its exceptional properties, this model has also become the handgun of choice for several international armed forces.



MODEL	HEIGHT×WIDTH×LENGTH (mm)	BARREL LENGTH (mm)	WEIGHT (kg)	CALIBER	MAGAZINE CAPACITY	SIGHTS	TRIGGER	FRAME	GRIPS	SAFETY FEATURES
CZ 75 SP-01 SHADOW	150×42×209	120	1,17	9×19, 9×21	19/10, 15	Fiber optic front sight Iron sights	SA/DA	Steel	Rubber	Safety notch on the hammer, Manual safety

CZ 75 SERIES



Full-size
CZ 75 B Ω

9×19 | 16

A new generation of the timeless CZ 75 B model with an OMEGA trigger mechanism and manual safety/decocker controls on both sides. The trigger and hammer have a modern ergonomic design for improved control. The steel sights have three luminescent dots for improved visibility.

Full-size
CZ 75 B

9×19 | 16



A modern version of one of the most famous pistols of all time. This all-steel, large-caliber SA/DA pistol with an external hammer still captivates users with its superb ergonomics and low trigger pull weight. The letter B stands for the automatic striker block, which improves drop safety.



Compact
CZ 75 P-01 Ω

9×19 | 15

A popular compact with an aluminum alloy frame, OMEGA trigger mechanism and easily exchangeable manual safety/decocker controls on both sides. Additional features include the modern ergonomic design of its trigger and hammer, as well as steel sights with luminescent dots for high visibility.

Compact
CZ 75 P-01 STEEL BLACK

9×19 | 15



A modern design of our popular compact with a steel frame and the proven SA/DA trigger mechanism found in all CZ 75 series pistols. It's the right choice for those who want an everyday carry gun with optimized dimensions, impressive firepower, extreme comfort and superior durability.

MODEL	HEIGHT×WIDTH×LENGTH (mm)	BARREL LENGTH (mm)	WEIGHT (kg)	CALIBER	MAGAZINE CAPACITY	SIGHTS	TRIGGER	FRAME
CZ 75 B Ω	138×36,5×205	120	1,00	9×19	16	Luminescent	SA/DA	Steel
CZ 75 B	138×36,5×205	120	1,00	9×19	16	Luminescent	SA/DA	Steel
CZ 75 P-01 Ω	128×38×184	98,5	0,80	9×19	15	Luminescent	SA/DA	Aluminum alloy
CZ 75 P-01 STEEL BLACK	134×36×187	98,5	1,07	9×19	15	Luminescent	SA/DA	Steel

GRIPS	SAFETY FEATURES
Rubber	Firing pin block, Decocker/Manual safety, Safety notch on the hammer
Polymer	Firing pin block, Safety notch on the hammer, Manual safety
Rubber	Firing pin block, Decocker/Manual safety, Safety notch on the hammer
Rubber	Firing pin block, Decocker/Manual safety, Safety notch on the hammer

CZ KADET SERIES

Compact
CZ P-07 KADET

.22 LR | 10

Rimfire model of the popular SA/DA compact pistol equipped with a fixed, 104 mm cold hammer forged barrel with a 1:16" twist rate. The OMEGA trigger mechanism allows the user to convert from a manual safety to decocker and vice versa.

VERSION
CZ P-07 KADET URBAN GREY



Full-size
CZ P-09 KADET

.22 LR | 10

A rimfire version of the full-size SA/DA hammer model that is extremely reliable. This is partly due to a set of recoil springs, included in the standard accessories, which allows users to fine-tune operation in accordance with the specific types of .22 LR cartridges.

VERSION
CZ P-09 KADET URBAN GREY



MODEL	HEIGHT×WIDTH×LENGTH (mm)	BARREL LENGTH (mm)	WEIGHT (kg)	CALIBER	MAGAZINE CAPACITY	SIGHTS	TRIGGER	FRAME
CZ P-07 KADET	137×37×191	104	0,56	.22 LR	10	Height adjustable visor	SA/DA	Fiberglass-reinforced polymer frame
CZ P-07 KADET URBAN GREY	137×37×191	104	0,56	.22 LR	10	Height adjustable visor	SA/DA	Fiberglass-reinforced polymer frame
CZ P-09 KADET	147×37×208	120	0,64	.22 LR	10	Height adjustable visor	SA/DA	Fiberglass-reinforced polymer frame
CZ P-09 KADET URBAN GREY	147×37×208	120	0,64	.22 LR	10	Height adjustable visor	SA/DA	Fiberglass-reinforced polymer frame

KADET ADAPTERS

Comprehensive conversion kits for easily and quickly converting selected CZ large-caliber pistols to .22 LR with no hand-fitting required. All kits include a 10-round magazine and a set of return springs to ensure reliable operation with all types of ammunition.

ADAPTER
CZ P-09 KADET

.22 LR | 10



ADAPTER
CZ 75 SP-01 KADET

.22 LR | 10



ADAPTER
CZ P-07 KADET

.22 LR | 10



ADAPTER
CZ SHADOW 2 KADET

.22 LR | 10



SAFETY FEATURES
Decocker/Manual safety, Safety notch on the hammer
Decocker/Manual safety, Safety notch on the hammer
Decocker/Manual safety, Safety notch on the hammer
Decocker/Manual safety, Safety notch on the hammer

MODEL	HEIGHT×WIDTH×LENGTH (mm)	BARREL LENGTH (mm)	WEIGHT (kg)	CALIBER	MAGAZINE CAPACITY
ADAPTER CZ P-07 KADET	40×27×170	104	0,27	.22 LR	10
ADAPTER CZ P-09 KADET	41×27×186	120	0,30	.22 LR	10
ADAPTER CZ 75 SP-01 KADET	41×27×185	120	0,28	.22 LR	10
ADAPTER CZ SHADOW 2 KADET	41×27×190	120	0,30	.22 LR	10



RIMFIRE RIFLES

A gateway to the fascinating world of guns and shooting. They're an irreplaceable training aid and exciting source of entertainment, as well as an effective hunting tool and target shooter. These are considered the traditional qualities of long firearms that use rimfire ammunition, so-called rimfire rifles, and models from CZ have served as excellent examples for more than 70 years. The best proof of their success is the millions of satisfied customers and fans around the world, together with the fact that CZ is considered a global standard in this segment. The backbone of its current range is the brand new CZ 457 bolt-action rifle series, which brings many outstanding features to the table. This fast-growing family is closely followed by the original CZ 512 semi-automatic rimfire rifle series.

CZ 457 SERIES



A new generation of modern rimfire rifles

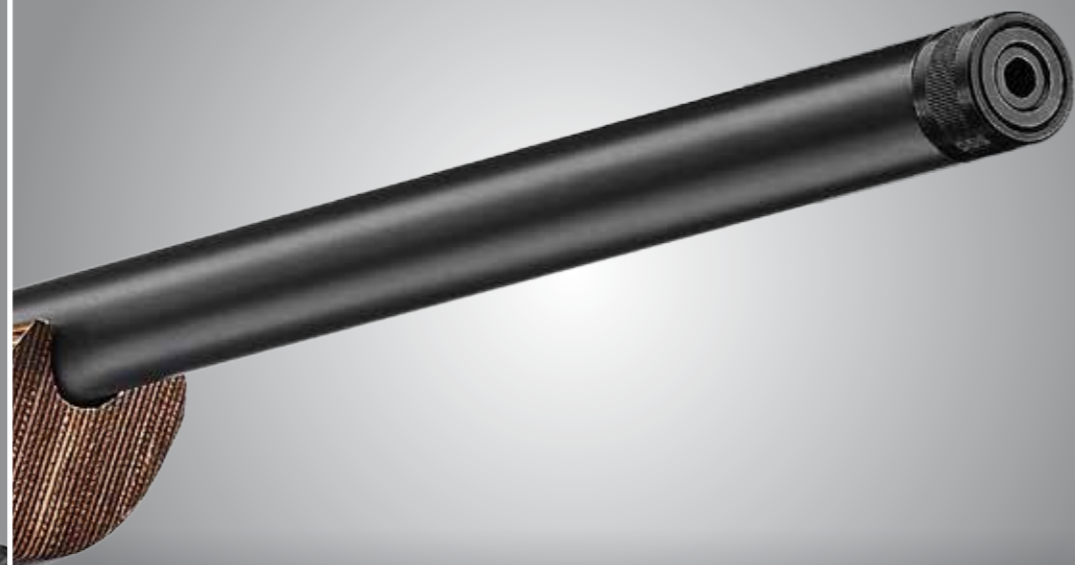
For more than 70 years, we have been at the forefront in the development and production of long firearms that utilize rimfire ammunition, with each model currently among the best on the world market. However, none have made such great strides in the improvement of all key parameters as the CZ 457 series. In 2021, several new models have been introduced - including the very first CZ rimfire rifle that comes standard with a riflescope developed especially for use on this gun.



Main **features of the CZ 457 SERIES**



Adjustable trigger mechanism for setting pull weight and trigger travel



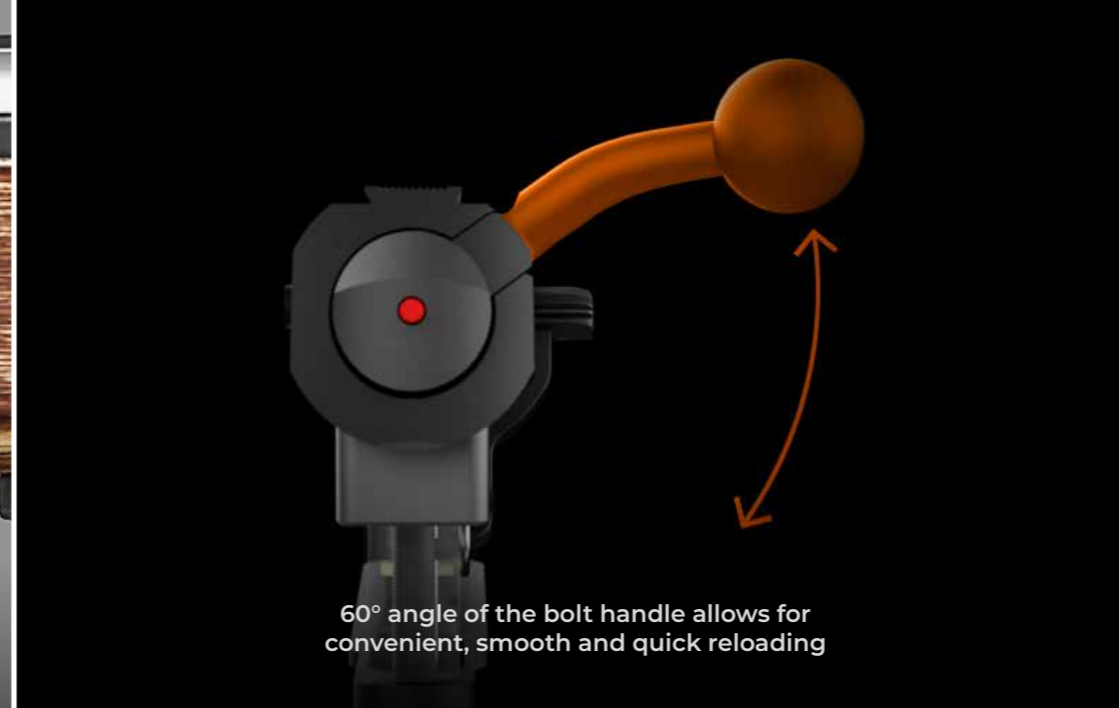
Top quality cold hammer forged barrels and easy replacement of barrel with an option to change the caliber



Striker status indicator for a visual and tactile check of the striker mechanism



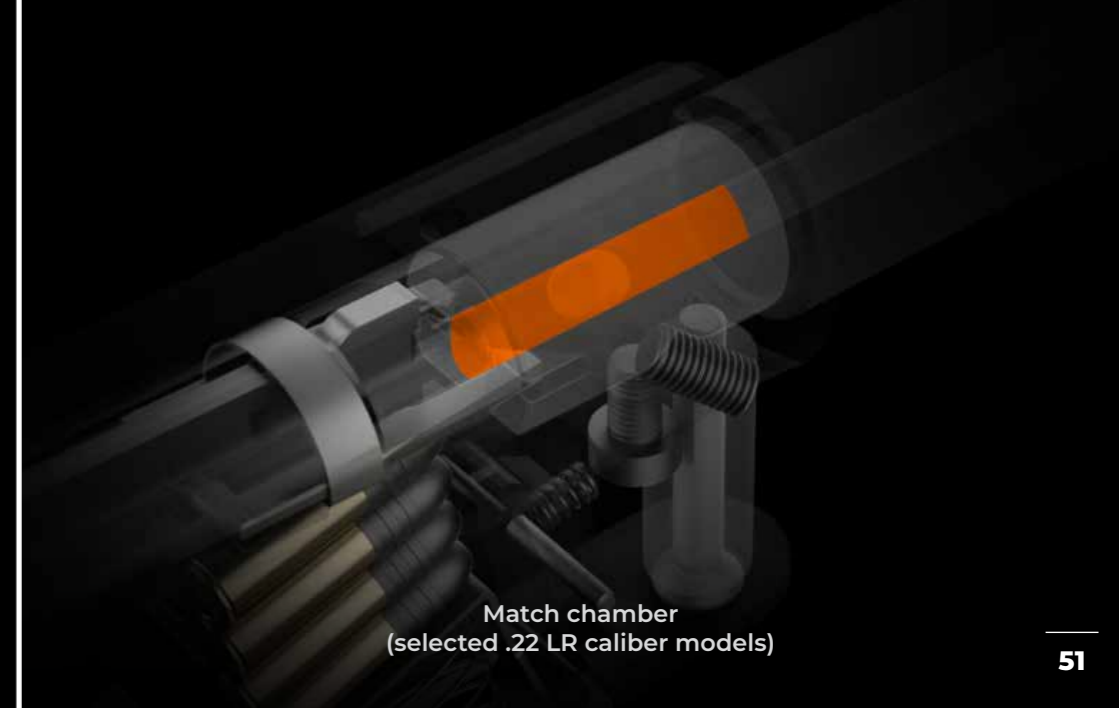
Lighter striker increases striking speed and reduces vibration during firing



60° angle of the bolt handle allows for convenient, smooth and quick reloading



New type of bedding constantly tightens screws in stock for high accuracy and extreme barrel stability



Match chamber (selected .22 LR caliber models)

CZ 457 AT-ONE

NEW

.22 LR | 5

CZ 457 SERIES



RIMFIRE RIFLES

Due to many requests from our customers, we have added the popular CZ 457 AT-ONE sports model from the CZ-USA range to our worldwide offer of the CZ 457 series. This specially designed rifle is equipped with a varmint barrel with MATCH chamber and a massive laminated wood stock from the well-known American brand Boyds, which features an easily adjustable shoe and cheekpiece. The classic sling loop is complemented by a quick-release loop with anchor holes on both sides of the forend.

MODEL	LENGTH (mm)	BARREL LENGTH (mm/in)	WEIGHT (kg)	CALIBER	MAGAZINE CAPACITY	SUPPLY TYPE	SIGHTS	TRIGGER	CHEEKPIECE	L.O.P. (mm)	STOCK	STOCK FINISH	BARREL	THREAD	COMPENSATOR
CZ 457 AT-ONE	938-975	525/20	3,6	.22 LR (1:16)	5	Detachable magazine	No	Adjustable	Adjustable	317,5 - 362	Laminate	Varnish	Cold hammer forged	1/2x20 UNF	No

CZ 457 SYNTHETIC SET

NEW

.22 LR | 5

An affordable set consisting of the CZ 457 Synthetic model with a soft-touch polymer stock and 3-9x42 riflescope developed especially for this series.



CZ SCOPE 3-9x42

The first riflescope developed specifically for CZ weapons. The optics enclosed within the one inch aerospace-grade duralumin tube feature 3-9 magnification, 42mm lens diameter, non-illuminated reticle placed in the second focal plane (SFP), fixed parallax at 50 meters, high light transmission coefficient, turret with 1/4 MOA clicks and water resistance. This custom riflescope ensures reliable and consistent shot groupings for all models in the CZ 557 series and comes securely attached on a two-piece duralumin mount.

How do you choose the ideal riflescope for your weapon? Some shooters make their choice based on previous experience, while less experienced shooters ask for advice from gun shops or friends. But if you want to unpack your new rimfire rifle and immediately hit the bullseye, you can now do it very easily, while saving time and money. The answer is the CZ 457 Synthetic SET.

MODEL	LENGTH (mm)	BARREL LENGTH (mm/in)	WEIGHT (kg)	CALIBER	MAGAZINE CAPACITY	SUPPLY TYPE	SIGHTS	TRIGGER	CHEEKPIECE	L.O.P. (mm)	STOCK	STOCK FINISH	BARREL	THREAD	COMPENSATOR
CZ 457 SYNTHETIC SET	977	525/20	2,9	.22 LR (1:16)	5	Detachable magazine	No	Adjustable	No	356	Polymer	Soft-touch	Cold hammer forged	1/2x20 UNF	No

CZ 457 STAINLESS

NEW

.22 LR | 5



Our .22 LR field model has been created for those who appreciate the use of high-grade materials in their rifle. Adding to the advantages already found in the CZ 457 series is an attractive digital camouflage on a proven polymer stock with a soft-touch surface and a thin-walled stainless steel barrel with high resistance to adverse weather conditions.

MODEL	LENGTH (mm)	BARREL LENGTH (mm/in)	WEIGHT (kg)	CALIBER	MAGAZINE CAPACITY	SUPPLY TYPE	SIGHTS	TRIGGER	CHEEKPIECE	L.O.P. (mm)	STOCK	STOCK FINISH	BARREL	THREAD	COMPENSATOR
CZ 457 STAINLESS	977	525/20	2,4	.22 LR (1:16)	5	Detachable magazine	No	Adjustable	No	356	Polymer	Soft-touch	Stainless steel	1/2x20 UNF	No



CZ 457 THUMBHOLE

.17 HMR (1:9) | 5 .22 LR (1:16) | 5 .22 WMR (1:16) | 5

The perfect combination of ergonomics and elegance. The defining characteristic of this model is its thumbhole stock made from high-strength, gray-brown laminated wood, which also features a unique integrated trigger guard. Its sophisticated stock design allows for comfortable use by both right- and left-handed shooters.



CZ 457 LRP

.22 LR (1:16) | 5

The CZ 457 LRP (Long Range Precision) is the right choice for accurate shooting at extreme distances. Its 20" cold-forged, thick-walled and fluted barrel with Match chamber also includes an effective cylindrical compensator mounted on the threaded muzzle. All key elements of its sport stock are adjustable and the 25 MOA Weaver mounting rail allows for easy aiming with a riflescope.



CZ 457 SYNTHETIC

.17 HMR (1:9) | 5 .22 LR (1:16) | 5 .22 WMR (1:16) | 5

The main feature for this model is increased resistance to adverse environmental conditions. All metal components come with a high quality, anti-corrosion finish. Its ergonomically friendly, and extremely strong, polymer stock comes with a soft-touch finish and is resistant to moisture, cold and heat.



CZ 457 PREMIUM

.17 HMR (1:9) | 5 .22 LR (1:16) | 5 .22 WMR (1:16) | 5

The 457 Premium is a model that will impress all fans of classically shaped hunting rifles. Its premium walnut stock features a cheekpiece and decorative forend. The 630 mm thin-walled barrel has a 1/2x20 muzzle thread for the attachment of a suppressor. Aiming is quick and intuitive with its tangent rear sight and fiber optic front sight.

MODEL	LENGTH (mm)	BARREL LENGTH (mm/in)	WEIGHT (kg)	CALIBER	MAGAZINE CAPACITY	SUPPLY TYPE	SIGHTS	TRIGGER
CZ 457 THUMBHOLE 20"	1010	525/20	3,5	.17 HMR (1:9), .22 LR (1:16), .22 WMR (1:16)	5	Detachable magazine	No	Adjustable
CZ 457 THUMBHOLE 16"	910	412,5/16	3,2	.22 LR (1:16)	5	Detachable magazine	No	Adjustable
CZ 457 SYNTHETIC 20"	977	525/20	2,4	.17 HMR (1:9), .22 LR (1:16), .22 WMR (1:16)	5	Detachable magazine	No	Adjustable
CZ 457 SYNTHETIC 16"	865	412,5/16	2,4	.22 LR (1:16)	5	Detachable magazine	No	Adjustable
CZ 457 LRP	1010	525/20	3,8 / 3,9	.22 LR (1:16)	5	Detachable magazine	No	Adjustable
CZ 457 PREMIUM	1084	630/24	2,9	.17 HMR (1:9), .22 LR (1:16), .22 WMR (1:16)	5	Detachable magazine	Tangent	Adjustable

CHEEKPIECE	L.O.P. (mm)	STOCK	STOCK FINISH	BARREL	THREAD	COMPENSATOR
Yes	360	Laminate	Varnish	Cold hammer forged	1/2x20 UNF	Yes
Yes	360	Laminate	Varnish	Cold hammer forged	1/2x20 UNF	Yes
No	356	Polymer	Soft-touch	Cold hammer forged	1/2x20 UNF	No
No	356	Polymer	Soft-touch	Cold hammer forged	1/2x20 UNF	No
Adjustable	351-382	Beech	Soft-touch	Cold hammer forged	1/2x20 UNF	Yes
Yes	360	Walnut	Oil	Cold hammer forged	1/2x20 UNF	No



CZ 457 MTR

.22 LR (1:16) | 5

A highly precise model with a special stock made from premium walnut. The thick-walled, cold hammer forged match-grade barrel in .22 LR caliber is equipped with a MATCH chamber. Thanks to this feature, and all other improvements in the new CZ 457 series, this model guarantees 15 mm groups at a distance of 50 m.



CZ 457 ROYAL

.17 HMR (1:9) | 5 .22 LR (1:16) | 5 .22 WMR (1:16) | 5

With this original model, CZ returns to the roots of rimfire rifles. The premium walnut stock has a cheekpiece and a decorative forend tip.



CZ 457 VARMINT

.17 HMR (1:9) | 5 .22 LR (1:16) | 5 .22 WMR (1:16) | 5

A popular design with an American-style varnished stock and heavy 525mm barrel, which makes it ideal for accurate sport shooting and hunting at medium to long distances. The proven 11mm CZ dovetail is milled into the top of the receiver for attaching scope ringmounts.



CZ 457 AMERICAN

.17 HMR (1:9) | 5 .22 LR (1:16) | 5 .22 WMR (1:16) | 5

The 457 is the perfect example of a classic American sport and hunting gun. The varnished American-style stock is made from high quality walnut, with checkering on the grip that incorporates a fleur-de-lis motif. The thin-walled, cold hammer forged barrel is 630 mm long and has no iron sights.

MODEL	LENGTH (mm)	BARREL LENGTH (mm/in)	WEIGHT (kg)	CALIBER	MAGAZINE CAPACITY	SUPPLY TYPE	SIGHTS	TRIGGER
CZ 457 MTR	854	412,5/16	3,9	.22 LR (1:16)	5	Detachable magazine	No	Adjustable
CZ 457 MTR	967	525/20	3,9	.22 LR (1:16)	5	Detachable magazine	No	Adjustable
CZ 457 VARMINT	981	525/20	3,2	.17 HMR (1:9), .22 LR (1:16), .22 WMR (1:16)	5	Detachable magazine	No	Adjustable
CZ 457 ROYAL	865	412,5/16	2,9	.17 HMR (1:9), .22 LR (1:16)	5	Detachable magazine	No	Adjustable
CZ 457 ROYAL	977	525/20	2,9	.22 WMR (1:16)	5	Detachable magazine	No	Adjustable
CZ 457 AMERICAN	1086	630/24	2,8	.17 HMR (1:9), .22 LR (1:16), .22 WMR (1:16)	5	Detachable magazine	No	Adjustable

CHEEKPIECE	L.O.P. (mm)	STOCK	STOCK FINISH	BARREL	THREAD	COMPENSATOR
No	350	Walnut	Oil	Cold hammer forged	1/2×20 UNF	No
No	350	Walnut	Oil	Cold hammer forged	1/2×20 UNF	No
No	360	Walnut	Varnish	Cold hammer forged	1/2×20 UNF	No
Yes	360	Walnut	Oil	Cold hammer forged	1/2×20 UNF	No
Yes	360	Walnut	Oil	Cold hammer forged	1/2×20 UNF	No
No	360	Walnut	Varnish	Cold hammer forged	1/2×20 UNF	No



CZ 457 JAGUAR XII

.22 LR (1:16) | 10

The 457 Jaguar XII is a modern model of the popular rimfire rifles from CZ. It features the longest barrel on offer (726 mm), as well as a tangent rear sight adjustable between 25 and 200 m, stock with a jaguar motif, and claw marks in place of traditional checkering. Basic accessories include a 10-round metal magazine.



CZ 457 LUX

.17 HMR (1:9) | 5 .22 LR (1:16) | 5 .22 WMR (1:16) | 5

A rimfire rifle with a classic European hunting rifle design. The varnished stock with cheekpiece is made of high-quality Turkish walnut and features laser-etched checkering. Traditional iron sights come as standard.



CZ 457 TRAINING RIFLE

.22 LR (1:16) | 5

The latest CZ Training Rifle models from CZ are perfect for novice shooters of all ages. In this case, it is all the more true thanks to the benefits of the CZ 457 series that significantly increase user safety, accuracy and the rifle's service life.

MODEL	LENGTH (mm)	BARREL LENGTH (mm/in)	WEIGHT (kg)	CALIBER	MAGAZINE CAPACITY	SUPPLY TYPE	SIGHTS	TRIGGER
CZ 457 JAGUAR XII	1182	726/26	2,9	.22 LR (1:16)	10	Detachable magazine	Tangent	Adjustable
CZ 457 LUX	1086	630/24	2,9	.17 HMR (1:9), .22 LR (1:16), .22 WMR (1:16)	5	Detachable magazine	Tangent	Adjustable
CZ 457 TRAINING RIFLE	1085	630/24	2,9	.22 LR (1:16)	5	Detachable magazine	Tangent	Adjustable

CHEEKPIECE	L.O.P. (mm)	STOCK	STOCK FINISH	BARREL	THREAD	COMPENSATOR
Yes	360	Beech	Varnish	Cold hammer forged	1/2×20 UNF	No
Yes	360	Walnut	Varnish	Cold hammer forged	1/2×20 UNF	No
No	360	Beech	Varnish	Cold hammer forged	1/2×20 UNF	No

CZ 512 SERIES



CZ 512 TACTICAL

.22 LR (1:16) | 25 .22 WMR (1:16) | 10

The attractive tactical design of the 512 Tactical has made it a popular semi-automatic rimfire rifle. It features an ergonomic pistol grip, length adjustable fiber-reinforced polymer stock, forend made from aluminum alloy and a 530 mm Picatinny rail (MIL-STD-1913) for the attachment of accessories. Chambered in .22 LR, it comes with a 25-round magazine as standard.



CZ 512

.22 LR (1:16) | 5 .22 WMR (1:16) | 5

The 512 is a modern semi-automatic rimfire rifle that is characterized by exceptional reliability, extreme accuracy and easy control. Due to its advanced design, it is suitable for both sport shooting and hunting, as demonstrated by the selection of calibers on offer. In addition to the basic 5-round magazine, 10-round magazines are available as a further purchase. A 25-round magazine is also available for .22 LR cartridges.

Shooting with rimfire rifles has never been so comfortable and fast!

Take seven decades of experience with the development and manufacture of rimfire rifles, mix it with unique know-how for the challenging design and production of automatic firearms, and season it with the most advanced manufacturing technologies. What do you get? The best semi-automatic rimfire rifles on the market!

MODEL	LENGTH (mm)	BARREL LENGTH (mm/in)	WEIGHT (kg)	CALIBER	MAGAZINE CAPACITY	SUPPLY TYPE	SIGHTS	TRIGGER
CZ 512 TACTICAL	839-920	419/16	2,8	.22 LR (1:16), .22 WMR (1:16)	25, 10	Detachable magazine	No	Adjustable
CZ 512	1000	525/20	2,7	.22 LR (1:16), .22 WMR (1:16)	5	Detachable magazine	Adjustable	Adjustable

CHEEKPIECE	L.O.P. (mm)	STOCK	STOCK FINISH	BARREL	THREAD	COMPENSATOR
Yes	305-390	Polymer	-	Cold hammer forged	1/2x28	No
No	350	Beech	Varnish	Cold hammer forged	No	No



CENTERFIRE RIFLES

For more than half a century, CZ has ruled the global market with its rifles for hunting and sport. The CZ brand is synonymous with original designs, reliability, accuracy, first-rate quality and affordable prices. Their continued success is confirmed by the hundreds of thousands of happy customers around the world, whose numbers increase significantly each and every year.

CZ **527** SERIES



Setting the standard in the light hunting and sport rifle category

The latest generation of the CZ 527 series is more accurate, durable, reliable and user-friendly than ever before! CZ has produced its well-known and highly regarded CZ 527 for three decades and, after extensive modernization, reigns supreme.

Whether you're looking for a powerful light rifle for varmint control or as a work tool, hobby or sport special, we have a model that will suit you perfectly and ensure your maximum satisfaction.



Main **features of the CZ 527 SERIES**



Extremely reliable "mini Mauser" system optimized for shorter and less powerful calibers



Highly accurate cold hammer forged barrel



Superb iron sights with fiber optic front sight improve and accelerate aiming



Single set trigger mechanism only requires a crisp and light touch for release



Premium wooden stocks with oil finish



Models without iron sights have a threaded muzzle for the convenient installation of a suppressor or other accessories



CZ 527 LUX

.223 Rem. | 5

An elegant model chambered in two classic calibers found in the CZ 527 platform - .22 Hornet and .223 Rem. This model is distinguished by its premium Turkish walnut stock with cheekpiece and oil finish that follows the traditional design of European rifles. The 600 mm cold hammer forged barrel is equipped with iron sights.



CZ 527 NIGHT SKY EDITION

.223 Rem. | 3

The stock of this special model resembles a night sky filled with stars. Its uniqueness is further complemented by other elements, such as a silver trigger and a muzzle compensator fitted on its cold hammer forged barrel without iron sights.



CZ 527 CARBINE

7,62×39 | 5

Impressive power in a compact size. This all-time favorite model in the CZ 527 rifle series features a 470 mm barrel with iron sights (side-to-side adjustable rear sight and height adjustable front sight with red fiber optics) and walnut stock with oil finish.



CZ 527 THUMBHOLE

.17 Hornet | 5 .223 Rem. | 5

A popular 21st century mini Mauser with a Thumbhole style inline stock that takes shooting to an entirely new level. Due to the powerful cartridges it fires, it's the perfect gun for precise shooting at longer distances.

MODEL	LENGTH (mm)	BARREL LENGTH (mm/in)	WEIGHT (kg)	CALIBER	MAGAZINE CAPACITY	SUPPLY TYPE	SIGHTS	TRIGGER
CZ 527 LUX	1077	600/24	2,8	.223 Rem. (1:9)	5	Detachable magazine	Yes	SST
CZ 527 CARBINE	950	470/19	2,7	7,62×39 (1:9,4)	5	Detachable magazine	Yes	SST
CZ 527 NIGHT SKY EDITION	1025	555/22	2,6	.223 Rem. (1:9)	3	Detachable magazine	No	SST
CZ 527 THUMBHOLE	1062	610/24	3,6	.17 Hornet (1:9), .223 Rem. (1:9)	5	Detachable magazine	No	SST

CHEEKPIECE	L.O.P. (mm)	STOCK	STOCK FINISH	BARREL	THREAD	COMPENSATOR
Yes	360	Walnut	Oil	Cold hammer forged	M14×1	No
No	355	Walnut	Oil	Cold hammer forged	M15×1	No
No	355	Polymer	Soft-touch	Cold hammer forged	M14×1	Yes
No	355	Laminate	Varnish	Cold hammer forged	M15×1	No

CZ **557** SERIES



A hunting and sport bolt-action rifle for the 21st century

The heart of these firearms is the modernized push feed system with a short extractor and spring-loaded ejector. A cold hammer forged barrel, precise automated production with tight tolerances, advanced ergonomics and a fully adjustable trigger mechanism ensure high accuracy of all models. The many advantages of this model series also include a silent, easy to reach manual safety and absolute reliability in all calibers.



Main **features of the CZ 557 SERIES**



Highly accurate cold hammer forged barrel



Exceptional ergonomics ensure intuitive operation without having to find controls visually or by touch



Fully adjustable trigger for travel, pull, overtravel and takeup comes as standard



Windage adjustable rear sight for accurate aiming



Superb iron sights with fiber optic front sight improve and accelerate aiming



Premium wooden stocks with oil finish



CZ 557 LUX

.30-06 Sprg. | 5

This model is available in four of the most popular calibers and comes with a 520 mm cold hammer forged barrel with iron sights. Its luxurious stock is made of high-quality walnut and features a cheekpiece, ergonomic pistol grip and oil finish.



CZ 557 LUX II.

.30-06 Sprg. | 5 .308 Win. | 4

This model of the superb CZ 557 LUX rifle is a perfect choice for customers who prefer the more traditional European style hunting rifles. Their needs have been taken into account when designing the barrel, trigger and safety.



CZ 557 LUX SA

.308 Win. | 4

The "SA" in this model's name means "Short Action". It's a clear choice for all shooters who, in addition to accuracy and reliability, also value reloading speed. Due to a shorter receiver and bolt, reloading speeds in this model are extremely fast.



CZ 557 VARMINT SYNTHETIC

.308 Win. | 10

A multi-purpose, large capacity and highly precise rifle with a heavy varmint style barrel and built-in dovetails for the quick attachment of a riflescope. The symmetrical, fiber-reinforced polymer stock with soft-touch finish is equipped with an adjustable cheekpiece.



CZ 557 ECLIPSE

.30-06 Sprg. | 5 .308 Win. | 5 6,5 CREEDMOOR | 5

We think of everybody when creating our models and know that some shooters want to spend the minimum amount of money, while still demanding high quality and accuracy. For these cases, we've expanded our portfolio with this CZ 557 "starter" model.

MODEL	LENGTH (mm)	BARREL LENGTH (mm/in)	WEIGHT (kg)	CALIBER	MAGAZINE CAPACITY	SUPPLY TYPE	SIGHTS	TRIGGER
CZ 557 LUX	1070	520/20	3,3	.30-06 Sprg. (1:10)	5	Fixed magazine	Yes	Adjustable
CZ 557 LUX II.	1160	610/24	3,4	.30-06 Sprg. (1:10), .308 Win. (1:10)	5, 4	Fixed magazine, Detachable magazine	Yes	SST
CZ 557 LUX SA	1042	520/20	3,1	.308 Win. (1:10)	4	Detachable magazine	Yes	Adjustable
CZ 557 VARMINT SYNTHETIC	1030	520/20	4	.308 Win. (1:10)	10	Detachable magazine	No	Adjustable
CZ 557 ECLIPSE	1042	520/20	3,1	.30-06 Sprg. (1:10), .308 Win. (1:10)	5	Fixed magazine	Yes/No	Adjustable
CZ 557 ECLIPSE	1042	610/24	3,1	6,5 Creedmoor (1:8)	5	Fixed magazine	No	Adjustable

CHEEKPIECE	L.O.P. (mm)	STOCK	STOCK FINISH	BARREL	THREAD	COMPENSATOR
Yes	370	Walnut	Oil	Cold hammer forged	M14x1	No
Yes	370	Walnut	Oil	Cold hammer forged	No	No
Yes	370	Walnut	Oil	Cold hammer forged	M14x1	No
Yes	360	Polymer	Soft-touch	Cold hammer forged	M18x1	No
No	360	Polymer	-	Cold hammer forged	M14x1	No
No	360	Polymer	-	Cold hammer forged	M14x1	No

The ultimate sniper and sport special for highly accurate long-distance shooting

The CZ TSR model in the powerful .308 Win. caliber is our latest answer for extremely accurate shooting at a distance of 500 to 800 meters. Its design is attuned to a single purpose – to reliably hit a target under any and all circumstances.

For the development of this cutting-edge bolt-action rifle, CZ worked closely with elite police and military professionals.



CZ **TSR**

.308 WIN. | 10

A sniper and sport special with first-rate performance, advanced parameters, individual ergonomic adjustment of key components, above average lifetime (SUB-MOA accuracy for an unbeatable minimum of 10,000 rounds) and 100% reliability in adverse weather conditions.



- FOLDABLE STOCK WITH RELIABLE RETENTION IN BOTH POSITIONS AND OPTION TO CHANGE FOLDING DIRECTION**
- HEIGHT AND ROTATION ADJUSTABLE CHEEKPIECE FOR ACHIEVING AN OPTIMUM AIMING POSITION**
- ERGONOMIC PISTOL GRIP WITH STORAGE SPACE AND INTERCHANGEABLE BACKSTRAPS**
- FULLY ADJUSTABLE BUTT PAD FOR HEIGHT, LENGTH AND ANGLE**
- INTERCHANGEABLE BOLT HANDLE BALL ALLOWS FOR INCREASED SHOOTER CUSTOMIZATION**
- EFFECTIVE MUZZLE BRAKE FITTED ON AN M18×1 THREADED BARREL**

MODEL	OVERALL LENGTH WITH STOCK FOLDED/UNFOLDED-EXTENDED (mm)	WIDTH WITH STOCK UNFOLDED/FOLDED (mm)	BARREL LENGTH (mm/in)	HEIGHT (mm)	CALIBER	MAGAZINE CAPACITY	WEIGHT (kg)
CZ TSR	931/1188 ± 10	70/95 ± 5	660 ± 1 / 26	192 ± 5	.308 Win. (1:11)	10	6,3

UPPER RECEIVER	THREAD	COMPENSATOR
7075 T6 aluminum alloy	M18×1	Muzzle brake



CZ-USA FIELDSPORTS SHOTGUNS

Borrowing from the most popular shotguns in the CZ-USA portfolio, this diverse range of long guns exhibits excellent construction quality, reliability and user-friendliness. The traditional core offer is a proven range of shotgun models for hunting and sport shooting, for which a wide selection of interchangeable chokes is available for all models. Semi-automatic and pump models are very popular, among which there is also a version designed for home defense. In short, there is something for everyone.

CZ-USA
FIELD SPORTS
SHOTGUN
SERIES



SHOTGUNS



CZ SUPREME FIELD

12 GA

An elegant over/under shotgun made for shooters who require more than just accuracy and reliability from their weapon. The beautiful CNC machined receiver is chrome plated, polished and hand engraved. The stock is made from carefully selected Turkish walnut (Grade III) and features a beautiful image. Additional features include extractor operation and a single trigger mechanism that allows you to choose firing order of the barrels.



CZ DRAKE

12 GA

The CZ Drake is a over/under shotgun with an extremely advantageous price to performance ratio. CNC machining of components is also utilized for this model. Features include extractor operation, a single selectable trigger mechanism with the ability to choose the firing order of barrels, low weight due to the deletion of the mid-rib between barrels, and laser cut checkering for a slip-free grip.



CZ REDHEAD PREMIER

12 GA

A high level, universal 12-gauge over/under shotgun designed for sport shooting and hunting. The precision CNC machined receiver is chrome plated, which gives it a shiny silver appearance. This model is equipped with extractor operation for the fastest possible reloading times and a single trigger mechanism that allows you to choose the barrel firing order.



CZ ALL-AMERICAN

12 GA

A 12-gauge sport over/under shotgun with an adjustable shoe and cheekpiece for tuning the gun to your specific body dimensions and shooting style. To minimize recoil, main ports are provided and the trigger mechanism fires the lower barrel first. High-precision CNC machining of all components allows for easy and trouble-free installation of spare parts.

MODEL	GAUGE	CHAMBER (mm)	BARREL LENGTH (mm)	OVERAL LENGTH (mm)	WEIGHT (kg)	CHOKES	EXTRACTORS / EJECTORS
CZ SUPREME FIELD	12 GA	67-76	710	1160	3,6	5 extended	Ejectors
CZ REDHEAD PREMIER	12 GA	67-76	710	1160	3,6	5 extended	Ejectors
CZ DRAKE	12 GA	67-76	710	1160	3,3	5 extended	Extractors
CZ ALL-AMERICAN	12 GA	67-76	760	1220	3,85	5 extended	Ejectors



**CZ 1012****12 GA**

A 12-gauge semi-automatic shotgun with a gasless inertia operating system for maximum reliability. Its user-friendliness was confirmed with a test of 5,000 shots without a drop of oil or any type of cleaning, while experiencing zero parts breakage or malfunctions. This model is equipped with a stock and forend made from Turkish walnut.

**CZ 1012 SYNTHETIC****12 GA**

A semi-automatic 12-gauge shotgun with a gasless inertia operating system, which provides maximum reliability with various types of ammunition from light-recoiling target loads to powerful 3" magnums and allows for a more relaxed maintenance schedule. A durable polymer stock makes it an ideal weapon for use in extremely inhospitable conditions. A wide range of chokes is also available for this model.

**CZ 612 HOME DEFENSE****12 GA**

A simple 12-gauge pump action shotgun with a durable polymer stock and reduced length, 47 cm barrel with fixed cylinder choke. The result is a compact, reliable and powerful weapon especially suited for home defense, while also being a great choice for competing in IPSC disciplines.

**CZ 612 FIELD****12 GA**

A reliable and affordable 12-gauge pump action shotgun for sport and hunting. The simple and durable pump reloading system has very low maintenance requirements, while the dual action bars make operation smooth and reliable. The stock is made of Turkish walnut and three interchangeable chokes come as part of its standard equipment.

MODEL	GAUGE	CHAMBER (mm)	BARREL LENGTH (mm)	OVERAL LENGTH (mm)	WEIGHT (kg)	CHOKES	EXTRACTORS / EJECTORS
CZ 1012	12 GA	67-76	710	1200	3,5	5	x
CZ 1012 SYNTHETIC	12 GA	67-76	710	1200	3	5	x
CZ 612 HOME DEFENSE	12 GA	67-76	470	970	2,75	Fixed cylinder	x
CZ 612 FIELD	12 GA	67-76	660	1170	2,75	3	x





SEMI-AUTOMATIC

Our semi-automatic rifles and carbines share the same DNA as our automatic submachine guns and assault rifles, which make them an ideal choice for sport and hobby shooters. They are also an excellent choice for security agencies and other private companies where local legislation does not allow the use of automatic firearms. These two product lines are a dream come true for civilians that require high performance weapons.



Leading semi-automatic carbines for sport, hobby and security

The CZ SCORPION EVO 3 S1 is an ideal firearm for modern shooting sports, hobby, home security and self-defense. It offers users a truly original design with many leading features, such as low weight, advanced ergonomics, high accuracy, smooth handling, easy breakdown, extreme reliability and exceptionally fast reloading.



CZ SCORPION EVO 3 S1 SERIES

SEMI-AUTOMATIC



CZ SCORPION EVO 3 SI CARBINE

9×19 | 10 9×21 | 10

A highly accurate and reliable 9×19 caliber semi-automatic carbine with a 16" barrel that's fitted with an attractive faux-suppressor. Its long, fiberglass-reinforced polymer forend is equipped with a modern M-LOK attachment system, which contributes to gripping comfort.



CZ SCORPION EVO 3 SI CARBINE COMP

9×19 | 10

The increased shooting comfort of this model is due to an effective two-chamber muzzle brake fitted on its 16" barrel and a long forend equipped with the M-LOK attachment system. It's a first-class firearm for modern sport and hobby shooting.



CZ SCORPION EVO 3 SI

9×19 | 20 9×21 | 20

This semi-automatic carbine version of the modern submachine gun legend, the CZ SCORPION EVO 3 AI, features a simple design that makes it easy to control, extremely reliable, exceptionally light and highly accurate. It's an ideal gun for security forces, as well as sport shooters.



MODEL	OVERALL LENGTH WITH STOCK UNFOLDED - EXTENDED (mm)	WIDTH WITH STOCK UNFOLDED/FOLDED (mm)	BARREL LENGTH (mm/in)	HEIGHT (mm)	CALIBER	MAGAZINE CAPACITY	WEIGHT (kg)
CZ SCORPION EVO 3 SI CARBINE	830-880 ± 10	60/85 ± 5	412 ± 1/16	215 ± 5	9×19, 9×21	10	2,87 ± 0,05
CZ SCORPION EVO 3 SI CARBINE COMP	860-910 ± 10	60/82 ± 5	412 ± 1/16	215 ± 5	9×19	10	2,95 ± 0,05
CZ SCORPION EVO 3 SI	615-665 ± 10	60/82 ± 5	196 ± 1/8	215 ± 5	9×19, 9×21	20	2,55 ± 0,05

BARREL
Cold hammer forged
Cold hammer forged
Cold hammer forged



Cutting-edge semi-automatic rifles with unrivalled parameters and performance

The CZ BREN 2 Ms semi-automatic weapons platform is one of the most sophisticated on the global market. Its advantages include a simple design, extreme reliability, high accuracy, low weight and excellent ergonomics, as well as ambidextrous and easy to swap controls.



CZ BREN 2 Ms
SERIES

SEMI-AUTOMATIC



CZ BREN 2 Ms

.223 REM. | 10

The semi-automatic version of the CZ BREN 2 Ms assault rifle is the result of collaboration between CZ and other world markets that required civilian versions of this popular assault rifle.



CZ BREN 2 Ms

7,62×39 | 10

The superb design characteristics of the CZ BREN 2 semi-automatic rifle are combined with the impressive ballistic performance of the 7.62×39 caliber. The result is a powerful, accurate and reliable rifle that has become a leader in its category.



NEW **CZ BREN 2 Ms CARBINE**

.223 REM. | 10

MODEL	OVERALL LENGTH WITH STOCK UNFOLDED – EXTENDED (mm)	WIDTH WITH STOCK UNFOLDED/FOLDED (mm)	BARREL LENGTH (mm/in)	CALIBER	MAGAZINE CAPACITY	WEIGHT (kg)
CZ BREN 2 Ms	577/762 - 807 ± 10	80 ± 5/104 ± 5	280 ± 1/ 11	.223 Rem.	10	2,97 ± 0,05
CZ BREN 2 Ms CARBINE	719/909 - 990 ± 10	80 ± 5/104 ± 5	425 ± 1/ 16,5	.223 Rem.	10	3,45 ± 0,05
CZ BREN 2 Ms	577/762 - 807 ± 10	80 ± 5/104 ± 5	280 ± 1/ 11	7,62×39 mm	10	2,87 ± 0,05



BARREL
Cold hammer forged
Cold hammer forged
Cold hammer forged



A0103-0001
INFORCE WML TACTICAL TORCH,
400 LM



A0203-0001
INFORCE WMLX TACTICAL TORCH,
800 LM



A0201-0004
AIMPOINT MAGNIFYING MODULE,
3XMAG



545900001125
.223 REM MAGAZINE, 10 ROUND



3722-3500-7310ND
CZ MAG 7,62x39 MAGAZINE,
10 ROUND



D2800-0600
1/2 POINT ASSAULT RIFLE SLING, FDE



D3800-0600
EVO SUBMACHINE GUN TACTICAL BAG
FDE



A0105-0001
CZ EVO 3 FRONT SUPPORT



545900004040
QD POUCH FOR SLING



A0201-0001
AIMPOINT COMP4 RED DOT SIGHT,
TORQUE SCREW



A0101-0010
TRIJCON MRO RED DOT SIGHT,
(39 MM, SCREW)



D3660-0080
CZ EVO SINGLE MAGAZINE POUCH
30, BLACK



D3660-0081
CZ EVO DOUBLE MAGAZINE POUCH
30, BLACK



3662-0800-0715ND
CZ MAG 9MM MAGAZINE,
10 ROUND



3662-0770-0725ND
CZ MAG 9MM MAGAZINE,
20 ROUND



3662-0780-0735 ND
CZ MAG 9MM MAGAZINE, 30 ROUND



3722-3500-6501 ND
CZ MAG 5,56x45 MAGAZINE,
30 ROUND



3722-3500-7301 ND
CZ MAG 7,62x39 MAGAZINE,
30 ROUND



D2800-0300
1/2 POINT ASSAULT RIFLE SLING,
BLACK



D3900-0300
BREN ASSAULT RIFLE TACTICAL BAG
BLACK



D3900-0600
BREN ASSAULT RIFLE TACTICAL BAG
FDE



5133-1000-01ND
CZ 455/CZ 457 .22 LR METAL
MAGAZINE, 5 ROUND



5133-1000-02ND
CZ 455/CZ 457/CZ 512
.22 LR FIBER-REINFORCED POLYMER
MAGAZINE, 5 ROUND



5131-1001-02ND
CZ 455/CZ 457 .22LR
SINGLE ROUND INSERT



5073-1000-8802ND
CZ 455/CZ 457/CZ 512
WMR/HMR FIBER-REINFORCED
POLYMER MAGAZINE, 5 ROUND



5073-1200-8802ND
CZ 455/CZ 457/CZ 512
WMR/HMR FIBER-REINFORCED
POLYMER MAGAZINE, 10 ROUND



5133-1200-01ND
CZ 455/CZ 457
.22 LR, METAL MAGAZINE,
10 ROUND



5133-1200-02ND
CZ 455/CZ 457/CZ 512
.22 LR FIBER-REINFORCED POLYMER
MAGAZINE, 10 ROUND



5123-1225-02ND
CZ 455/CZ 457/CZ 512
.22 LR FIBER-REINFORCED POLYMER
MAGAZINE, 25 ROUND



5273-1051-6409ND
CZ 527 .223 REM. MAGAZINE,
5 ROUND

5273-1051-0209ND
CZ 527 .17/22 HORNET MAGAZINE,
5 ROUND

273-1051-3909ND
CZ 527 .204 RUGER MAGAZINE,
5 ROUND

5273-1051-4009ND
CZ 527 .222 REM. MAGAZINE,
5 ROUND

5273-1052-43ND
CZ 527 7,62x39 MAGAZINE,
5 ROUND



5273-1054-6415ND
CZ 527 .223 REM. MAGAZINE,
3 ROUND



5572-2000-5302ND
CZ 557 .243 WIN./308 WIN.
MAGAZINE, 10 ROUND



5572-2000-5303ND
CZ 557 .243 WIN./308 WIN.
MAGAZINE, 4 ROUND



5083-0096-8591ND
LONG RANGE PRECISION MINISSET



5083-0190-83ND
LUX MINISSET



5083-0090-8991ND
VARMINT MINISSET



5083-0090-8594ND
VARMINT MATCH MINISSET



5083-0090-8982ND
AMERICAN MINISSET



5083-0091-81ND
STAINLESS MINISSET



5120-0110-01
CZ NYLON/RUBBER WEAPON SLING
- GREEN



5120-0110-02
CZ NYLON/RUBBER WEAPON SLING
- BROWN



5120-0110-03
CZ NYLON/RUBBER WEAPON SLING
- ORANGE



5120-0110-04
CZ NYLON/RUBBER WEAPON SLING
- RUBBER-TWEED



5120-0110-11
CZ NYLON/RUBBER WEAPON SLING
- RUBBER-LIGHT



5120-0110-12
CZ NYLON/RUBBER WEAPON SLING
- RUBBER-DARK



5120-0110-09
CZ NYLON/RUBBER WEAPON SLING
- RUBBER-BLACK



5120-0110-05
CZ NYLON/RUBBER WEAPON SLING
- RUBBER-CAMO



5120-0200
CZ RIFLE TOOL



5500-2990-01ND
TRIGATTI SWIVEL



1081-7383
TRIGATTI SLING SWIVEL



5812-1293-04ND
CZ 455/CZ 457 SWIVEL



1002-4100-05
ATI SLING LOOP



5120-0400
CZ RIFLE CASE BASIC - BLACK



5120-0500
CZ RIFLE CASE BASIC - FDE



5120-0600
CZ RIFLE CASE PREMIUM - BROWN



5120-0700
CZ RIFLE CASE PREMIUM - GREEN

1070-7005
CZ SCOPE 3-9x42

Objective Lens Diameter: 42 mm
Magnification: 3 - 9x
Tube Diameter: 1 in
Reticle Focal Plane: Second Focal Plane (SFP)
Illumination Type: Non-Illuminated
Adjustment Click Value: ¼ MOA
Parallax: 50m
Weather Resistance: Yes
Water Resistance Level: Waterproof

1-inch, small, compact scope with very impressive features and versatile optics. It has an industry-leading field of view, fast focus ocular, and generous eye relief.

Features a proprietary coating process that maximizes light transmission through each surface of an optical element. As light hits an optical surface, normal uncoated high-performance glass can reflect up to 5% of that light, redirecting this light so it does not transmit through the optical system. However, when these high-performance lenses are vacuum-coated with proprietary lens coatings, up to 99.7% of the available light passes through each optical surface. Furthermore, when every surface of the entire optical system is properly coated, total light transmission can reach up to more than 92%, making the optical image of the riflescope "bright," even in the lowest light conditions.

It also features a Double HD lens, created when multiple extra-low dispersion lenses are chemically laminated to make a single, multi-layer high-performance optical lens. Laminating multiple lenses minimizes light reflection on the surface of multiple lenses, creates enhanced resolution and color contrast images, and minimizes chromatic aberrations.



1080-7010
CZ 557 MIL-STD-1911
LONG ACTION

1080-7011
CZ 557 MIL-STD-1911
SHORT ACTION



1070-9058
CZ 457 MIL-STD-1911
ANGLED 25MOA



1070-9040
CZ 527 MIL-STD-1911



1070-9059
CZ 457 REDUCTION FOR DIOPTER



1070-9057
CZ 457 MIL-STD-1911



1070-7001
CZ 455/457/512
2-PIECE MOUNT 1" DIA.

1070-7002
CZ 455/457/512
2-PIECE MOUNT DIA. 30MM

1070-7003
CZ 527 2-PIECE MOUNT DIA. 30MM

1070-7004
CZ 557 2-PIECE MOUNT DIA. 30MM



1002-5103-01
BIPOD FOR WEAVER - BLACK

1002-5103-02
BIPOD FOR WEAVER - FDE

1002-5103-03
BIPOD FOR WEAVER - GREEN



465557012001
M14x1 THREAD CAP

465557012004
M18x1 THREAD CAP

5080-0060-80ND
1/2x20 UNF THREAD CAP
(AMERICAN)

5080-0060-90ND
1/2x20 UNF THREAD CAP
(VARMINT)



465570172001
M14x1 COMPENSATOR

465507007011
COMPENSATOR FOR 1/2x20 UNF
THREAD (AMERICAN)

465507007021
COMPENSATOR FOR 1/2x20 UNF
THREAD (VARMINT)



5120-0330-01
RUBBER RIFLE BOLT KNOP COVER



5073-1900-01ND
CZ 455/CZ 457 CAMP RIFLE
REAR SIGHT



545130060481
M18x1 MUZZLE BRAKE



1002-5102-01
CZ 457 FRONT SIGHT TUNNEL
CARRIER



1002-5102-02
CZ 457 FRONT SIGHT TUNNEL CAR-
RIER WITH BIATHLON SHUTTER



1002-5102-03
CZ 457 FRONT SIGHT TUNNEL
CARRIER



1002-5101-01
CZ 457 DURAL TRIGGER GUARD - BLACK

1002-5101-02
CZ 457 DURAL TRIGGER GUARD - GOLD

1002-5101-03
CZ 457 DURAL TRIGGER GUARD - GREEN

1002-5101-04
CZ 457 DURAL TRIGGER GUARD - RED

1002-5101-05
CZ 457 DURAL TRIGGER GUARD - BLUE



5083-0410-01ND
CZ 457 COMFORT TRIGGER
TRIGGER PULL 6-7 N



0721-0700-03ND

STEEL TRITIUM SIGHT SET V.2 (5,50 MM)

0721-0700-02ND
STEEL TRITIUM SIGHT SET V.2 (5,50 MM)

0721-0700-04ND
STEEL TRITIUM SIGHT SET V.4 (6,00 MM)



0561-0700-02

P-10 TRIT 5,5 MM SIGHT SET 2

0561-0700-03
P-10 TRIT 5,75 MM SIGHT SET 3



1081-0101

SHADOW 2/SP-01 SHADOW ADJUSTABLE REAR SIGHT



1081-0105

TS ORANGE ADJUSTABLE REAR SIGHT



1081-0220

FULLY ADJUSTABLE REAR SIGHT TS 2

1091-1250-01 FRONT SIGHT WITH 5,25 MM DOT V1
1091-1250-02 FRONT SIGHT WITH 5,50 MM DOT V2
1091-1250-03 FRONT SIGHT WITH 5,75 MM DOT V2
1091-1250-04 FRONT SIGHT WITH 6,00 MM DOT V2
1091-1250-05 FRONT SIGHT WITH 6,25 MM DOT V2
1091-1250-06 FRONT SIGHT WITH 6,50 MM DOT V2
1091-1250-07 FRONT SIGHT WITH 6,75 MM DOT V2
1091-1250-08 FRONT SIGHT WITH 7,00 MM DOT V2
1091-1250-09 FRONT SIGHT WITH 7,50 MM DOT V2
1091-1250-10 FRONT SIGHT WITH 8,00 MM DOT V2
1091-1250-11 FRONT SIGHT WITH 8,50 MM DOT V2

1091-1251-01 FRONT SIGHT WITHOUT DOT V1 5,25 MM
1091-1251-02 FRONT SIGHT WITHOUT DOT V2 5,50 MM
1091-1251-03 FRONT SIGHT WITHOUT DOT V2 5,75 MM
1091-1251-04 FRONT SIGHT WITHOUT DOT V2 6,00 MM
1091-1251-05 FRONT SIGHT WITHOUT DOT V2 6,25 MM
1091-1251-06 FRONT SIGHT WITHOUT DOT V2 6,50 MM
1091-1251-07 FRONT SIGHT WITHOUT DOT V2 6,75 MM
1091-1251-08 FRONT SIGHT WITHOUT DOT V2 7,00 MM
1091-1251-09 FRONT SIGHT WITHOUT DOT V2 7,50 MM
1091-1251-10 FRONT SIGHT WITHOUT DOT V2 8,00 MM
1091-1251-11 FRONT SIGHT WITHOUT DOT V2 8,50 MM

1091-1252-01 FIBER OPTIC SIGHT V1 1x5,25 MM
1091-1252-02 FIBER OPTIC SIGHT V2 1x5,50 MM
1091-1252-03 FIBER OPTIC SIGHT V2 1x5,75 MM
1091-1252-04 FIBER OPTIC SIGHT V2 1x6,00 MM
1091-1252-05 FIBER OPTIC SIGHT V2 1x6,25 MM
1091-1252-06 FIBER OPTIC SIGHT V2 1x6,50 MM
1091-1252-07 FIBER OPTIC SIGHT V2 1x6,75 MM
1091-1252-08 FIBER OPTIC SIGHT V2 1x7,00 MM
1091-1252-09 FIBER OPTIC SIGHT V2 1x7,50 MM
1091-1252-10 FIBER OPTIC SIGHT V2 1x8,00 MM
1091-1252-11 FIBER OPTIC SIGHT V2 1x8,50 MM

1091-1253-01 FIBER OPTIC SIGHT V1 1,5x5,25 MM
1091-1253-02 FIBER OPTIC SIGHT V2 1,5x5,50 MM
1091-1253-03 FIBER OPTIC SIGHT V2 1,5x5,75 MM
1091-1253-04 FIBER OPTIC SIGHT V2 1,5x6,00 MM
1091-1253-05 FIBER OPTIC SIGHT V2 1,5x6,25 MM
1091-1253-06 FIBER OPTIC SIGHT V2 1,5x6,50 MM
1091-1253-07 FIBER OPTIC SIGHT V2 1,5x6,75 MM
1091-1253-08 FIBER OPTIC SIGHT V2 1,5x7,00 MM
1091-1253-09 FIBER OPTIC SIGHT V2 1,5x7,50 MM
1091-1253-10 FIBER OPTIC SIGHT V2 1,5x8,00 MM
1091-1253-11 FIBER OPTIC SIGHT V2 1,5x8,50 MM

HEIGHT OF FRONT SIGHT	FRONT SIGHT WITH DOT *	FRONT SIGHT WITHOUT DOT *	1 MM FIBER OPTIC SIGHT **	1,5 MM FIBER OPTIC SIGHT **
5,25 mm	1091-1250-01	1091-1251-01	1091-1252-01	1091-1253-01
5,5 mm	1091-1250-02	1091-1251-02	1091-1252-02	1091-1253-02
5,75 mm	1091-1250-03	1091-1251-03	1091-1252-03	1091-1253-03
6 mm	1091-1250-04	1091-1251-04	1091-1252-04	1091-1253-04
6,25 mm	1091-1250-05	1091-1251-05	1091-1252-05	1091-1253-05
6,5 mm	1091-1250-06	1091-1251-06	1091-1252-06	1091-1253-06
6,75 mm	1091-1250-07	1091-1251-07	1091-1252-07	1091-1253-07
7 mm	1091-1250-08	1091-1251-08	1091-1252-08	1091-1253-08
7,5 mm	1091-1250-09	1091-1251-09	1091-1252-09	1091-1253-09
8 mm	1091-1250-10	1091-1251-10	1091-1252-10	1091-1253-10
8,5 mm	1091-1250-11	1091-1251-11	1091-1252-11	1091-1253-11

* CZ P-07, CZ P-09, CZ 75 COMPACT, CZ 75 D COMPACT, CZ 75, CZ 75 B Ω, CZ 85, CZ 97, CZ SP-01, CZ 75 SP-01 TACTICAL, SHADOW, PHANTOM, CZ 75 TS, CZ 75 TS CZECHMATE

** CZ 75 COMPACT, CZ 75 D COMPACT, CZ 75, CZ 75 B Ω, CZ 85, CZ 97, CZ SP-01, CZ 75 SP-01 TACTICAL, SHADOW, PHANTOM, CZ 75 TS, CZ 75 TS CZECHMATE

	HEIGHT OF REAR SIGHT	DEFENDER REAR SIGHT WITH DOT	DEFENDER REAR SIGHT WITHOUT DOT	TARGET REAR SIGHT WITH DOT	TARGET REAR SIGHT WITHOUT DOT	FIBER OPTIC REAR SIGHT
CZ P-07 / CZ P-09	7,3 mm	1091-1260	1091-1263	1091-1266	1091-1269	1091-1272
CZ 75/85/SP-01	8,3 mm	1091-1261	1091-1264	1091-1267	1091-1270	1091-1273
CZ 75 SP-01 SHADOW	10 mm	1091-1262	1091-1265	1091-1268	1091-1271	1091-1274

	HEIGHT OF SIGHT	1 M FIBER OPTIC SIGHT	1.5 M FIBER OPTIC SIGHT	TRITIUM FRONT SIGHT	TRITIUM REAR SIGHT
CZ P-07 / CZ P-09	5,5 mm	1091-1282-02	1091-1283-02	0720-0600-06ND	0720-0690-01ND
CZ P-07 / CZ P-09	5,75 mm	1091-1282-03	1091-1283-03	0720-0600-07ND	0720-0690-01ND
CZ P-07 / CZ P-09	6 mm	1091-1282-04	1091-1283-04	0720-0600-08ND	0720-0690-01ND



1091-1260

DEFENDER REAR SIGHT WITH 7,3 MM DOT

1091-1263
DEFENDER REAR SIGHT WITH 8,3 MM DOT

1091-1262
DEFENDER REAR SIGHT WITH 10 MM DOT



1091-1263

DEFENDER REAR SIGHT WITHOUT DOT (7,3 MM)

1091-1264
DEFENDER REAR SIGHT WITHOUT DOT (8,3 MM)

1091-1265
DEFENDER REAR SIGHT WITHOUT DOT (10 MM)



1091-1266

TARGET REAR SIGHT WITH 7,3 MM DOT

1091-1267
TARGET REAR SIGHT WITH 8,3 MM DOT

1091-1268
TARGET REAR SIGHT WITH 10 MM DOT



1091-1272

7,3 MM FIBER OPTIC REAR SIGHT

1091-1273
8,3 MM FIBER OPTIC REAR SIGHT

1091-1274
10 MM FIBER OPTIC REAR SIGHT



1091-1269

TARGET REAR SIGHT WITHOUT (7,3 MM)

1091-1270
TARGET REAR SIGHT WITHOUT (8,3 MM)

1091-1271
TARGET REAR SIGHT WITHOUT (10 MM)



1010-1309
CZ P-07 KADET MAGAZINE



1010-1310
CZ P-09 KADET MAGAZINE



1010-1313
CZ SP-01/SHADOW 2 KADET MAGAZINE



0422-0710-16ND
CZ 75/SP-01/SHADOW 2 NICKEL MAGAZINE, 19 ROUND



0722-0030-10ND
CZ P-09/P-10 F 9x19 MAGAZINE 19 ROUND



0582-0710-01ND
CZ P-10 M 9x19 MAGAZINE 7 ROUND



5125-1040
P-09 KYDEX HOLSTER (R)



5125-1190-02
CZ P-10 F KYDEX HOLSTER (L)



5125-1047
CZ P-07/P-09/P-10 DOUBLE MAGAZINE HOLSTER



0422-0710-14ND
CZ SP-01/SHADOW 2 NICKEL MAGAZINE, 17 ROUND



0422-0710-15ND
CZ SP-01/SHADOW 2 AFC MAGAZINE, 19 ROUND



0552-0030-06ND
CZ P-10 C 9x19 MAGAZINE 17 ROUND



0552-0030-10ND
CZ P-10 C 9x19 MAGAZINE, 15 ROUND



0472-3710-1617ND
CZ TS/TS2 .40 S&W MAGAZINE 17 ROUND



0472-3710-0706ND
CZ TS/TS2 9x19 MAGAZINE 20 ROUND

0532-0030-10ND
CZ P-10 F 45 AUTO MAGAZINE 13 ROUND

0722-0030-05ND
CZ P-09/P-10 F MAGAZINE 10 ROUND

5125-1041
P-09 KYDEX HOLSTER (L)

5125-1042
P-07 KYDEX HOLSTER (R)

5125-1043
P-07 KYDEX HOLSTER (L)

5125-1099
CZ-10 C KYDEX HOLSTER (R)

5125-1098
CZ-10 C KYDEX HOLSTER (L)

5125-1190-02
P-10 F KYDEX HOLSTER (L)

5125-1190-01
P-10 F KYDEX HOLSTER (R)

5125-1191-02
P-10 S KYDEX HOLSTER (L)

5125-1191-01
P-10 S KYDEX HOLSTER (R)

5125-1060
CZ 75 KYDEX HOLSTER (R)

5125-1062
SP-01 KYDEX HOLSTER (R)



5125-1223
CZ P-10 M KYDEX HOLSTER IWB + OLIGHT (L)



5125-1226
CZ P-10 M KYDEX HOLSTER OWB + OLIGHT (L)

5125-1222
CZ P-10 M KYDEX HOLSTER IWB + OLIGHT (R)

5125-1227
CZ P-10 M KYDEX HOLSTER OWB + OLIGHT (R)



5125-1046
CZ P-07/P-09/P-10 MAGAZINE HOLSTER

5125-1048
CZ 75 MAGAZINE HOLSTER

5125-1808
CZ P-10 M KYDEX MAGAZINE HOLSTER - IWB

5125-1809
CZ P-10 M KYDEX MAGAZINE HOLSTER - OWB



5125-1200
CZ TS 2 KYDEX HOLSTER OWB (R)
5125-1201
CZ TS 2 KYDEX HOLSTER OWB (L)



5125-1202
CZ TS 2 KYDEX SPORT HOLSTER (TEKLOK) (R)
5125-1203
CZ TS 2 KYDEX SPORT HOLSTER (TEKLOK) (L)



5125-1220
CZ P-10 C KYDEX IWB HOLSTER + OLIGHT (R)
5125-1221
CZ P-10 C KYDEX IWB HOLSTER + OLIGHT (L)



5125-1224
CZ P-10 C KYDEX HOLSTER OWB + OLIGHT (R)
5125-1225
CZ P-10 C KYDEX HOLSTER OWB + OLIGHT (L)



5125-1237
CZ P-10 S KYDEX IWB + OLIGHT (L)
5125-1236
CZ P-10 S KYDEX IWB + OLIGHT (R)



5125-1238
CZ P-10 S KYDEX OWB + OLIGHT (R)
5125-1239
CZ P-10 S KYDEX OWB + OLIGHT (L)



5125-1802
CZ P-10 M KYDEX - IWB 1/2 SWG (L)
5125-1801
CZ P-10 M KYDEX - IWB 1/2 SWG (R)



5125-1803
CZ P-10 M KYDEX - OWB (R)
5125-1804
CZ P-10 M KYDEX - OWB (L)



5125-1228
CZ P-10 SC/P-10 F KYDEX OWB HOLSTER + OLIGHT (R)
5125-1229
CZ P-10 SC/P-10 F KYDEX OWB HOLSTER + OLIGHT (L)



5125-1230
CZ P-10 F, 45 AUTO KYDEX OWB HOLSTER, NO SWG (R)
5125-1231
CZ P-10 F, 45 AUTO KYDEX OWB HOLSTER, NO SWG (L)



5125-1232
CZ P-10 F, 45 AUTO KYDEX OWB HOLSTER 1/2 SWG (R)
5125-1233
CZ P-10 F, 45 AUTO KYDEX OWB HOLSTER 1/2 SWG (L)



5125-1234
CZ P-10 F, 45 AUTO KYDEX OWB HOLSTER FULL SWG (R)
5125-1235
CZ P-10 F, 45 AUTO KYDEX OWB HOLSTER FULL SWG (L)



5125-1805
CZ P-10 M KYDEX HYBRID (R)
5125-1806
CZ P-10 M KYDEX HYBRID (L)



5125-1811
CZ P-10 M TRIGGER-GUARD EXTENDED



5125-1807
TRIGGER-GUARD CZ P-10 M



5125-1810-03
CZ P-10 M IWB LEATHER HOLSTER BROWN (R)



5125-1405-9
CZ P-10 C OWB LEATHER HOLSTER BROWN (R)

5125-1810-04
CZ P-10 M IWB LEATHER HOLSTER BROWN (L)

5125-1405-10
CZ P-10 C OWB LEATHER HOLSTER BROWN (L)



5125-1407-01
CONCEALED-CARRY PISTOL BAG, BLACK
5125-1407-02 - GREY
5125-1407-03 - GREEN
5125-1407-04 - PINK



1091-1340-03

CZ 75 ALUMINUM MAGAZINE
BASEPLATE - RED



1091-1341-03

CZ SP-01 ALUMINUM MAGAZINE
BASEPLATE - RED



1091-1342-03

CZ TS ALUMINUM MAGAZINE
BASEPLATE - RED



1091-1345-05

CZ SHADOW 2 ALUMINUM MAGAZINE
BASEPLATE FOR USE WITH FUNNEL
PURPLE



1091-2280-05

CZ SHADOW 2 MAGAZINE FUNNEL
PURPLE



1091-2180-05

CZ SHADOW 2 GRIP PANELS
PURPLE (HARD ELOX)

1091-2180-11
CZ SHADOW 2 GRIP PANELS
BLACK (HARD ELOX)

1091-2180-12
CZ SHADOW 2 GRIP PANELS
SILVER (HARD ELOX)

1091-2180-14
CZ SHADOW 2 GRIP PANELS
BLUE (HARD ELOX)



1091-1377-01

CZ P-10 S, C, SC, F IN 9x19
MAGAZINE RELEASE - BLACK

1091-1377-02 - RED

1091-1377-03 - BLUE

1091-1377-04 - GREEN



0580-0323-02

CZ P-10 M MAGAZINE RELEASE
LEFT-HANDED



1091-1340-04

CZ 75 ALUMINUM MAGAZINE
BASEPLATE - BLUE



1091-1341-04

CZ SP-01 ALUMINUM MAGAZINE
BASEPLATE - BLUE



1091-1342-04

CZ TS ALUMINUM MAGAZINE
BASEPLATE - BLUE



1091-1345-14

CZ SHADOW 2 ALUMINUM MAGAZINE
BASEPLATE FOR USE WITH FUNNEL
BLUE



1091-2280-14

CZ SHADOW 2 MAGAZINE FUNNEL
BLUE



1091-1340-02

CZ 75 ALUMINUM MAGAZINE
BASEPLATE - SILVER



1091-1341-02

CZ SP-01 ALUMINUM MAGAZINE
BASEPLATE - SILVER



1091-1342-02

CZ TS ALUMINUM MAGAZINE
BASEPLATE - SILVER



1091-1345-12

CZ SHADOW 2 ALUMINUM MAGAZINE
BASEPLATE FOR USE WITH FUNNEL
SILVER



1091-2280-12

CZ SHADOW 2 MAGAZINE FUNNEL
SILVER



1091-1320

SA/DA HAMMER



1091-1321

SA HAMMER



1091-1337

SAFETY SET (L) WIDE
CZ 75 SP-01, S2, TS, TS2



1091-1338

SAFETY SET (R) WIDE
CZ 75 SP-01, S2, TS, TS2



1091-1340-01

CZ 75 ALUMINUM MAGAZINE
BASEPLATE - BLACK



1091-1341-01

CZ SP-01 ALUMINUM MAGAZINE
BASEPLATE - BLACK



1091-1342-01

CZ TS ALUMINUM MAGAZINE
BASEPLATE - BLACK



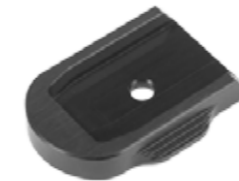
1091-1345-11

CZ SHADOW 2 ALUMINUM MAGAZINE
BASEPLATE FOR USE WITH FUNNEL
BLACK



1091-2280-01

CZ SHADOW 2 MAGAZINE FUNNEL
BLACK



1091-1360

CZ P-10 ENLARGED ALUMINUM
MAGAZINE BASEPLATE



0471-0081-1606

CZ SHADOW 2/TS FLAT SLIDE STOP
(ND)



0423-2500-02ND

CZ SHADOW 2, TS, TS2 EXTENDED
SAFETY (R)



1091-1224

CZ SP-01 AMBIDEXTROUS FLAT SAFETY
(R)



1091-1380-01
CZ P-10 S, C, SC, F DURALUMIN TRIGGER BLACK

1091-1380-02 - RED

1091-1380-03 - BLUE

1091-1380-04 - GREEN

1091-1390-01
CZ P-10 M DURALUMIN TRIGGER BLACK

1091-1390-02 - RED

1091-1390-03 - BLUE

1091-1390-04 - GREEN



3700-8010
RED DOT SIGHT - AIMPOINT ACRO



1091-1410-06
CZ P-10 OPTICS READY PLATE - SHIELD RMS



3700-7801
RED DOT SIGHT - TRIJICON SRO, 1 MOA

3700-7800
RED DOT SIGHT - TRIJICON SRO, 2,5 MOA

3700-7802
RED DOT SIGHT - TRIJICON SRO, 5 MOA



3700-7700
RED DOT SIGHT - TRIJICON RMR



1091-1410-06
CZ P-10 OPTICS READY PLATE - SHIELD RMS



1091-1410-01
CZ P-10 OR PLATE - TRIJICON RMR



1091-1420-01
CZ SHADOW 2 OPTICS READY PLATE - TRIJICON RMR



1091-1410-03
CZ P-10 OR PLATE - DOCTOR/VENOM



1091-1420-06
CZ SHADOW 2 OR PLATE - SHIELD RMS



1091-1410-09
CZ P-10 OR PLATE - C-MORE

1091-1410-08
CZ P-10 OR PLATE - AIMPOINT ACRO



1091-1420-04
CZ SHADOW 2 OR PLATE - VENOM/DOCTER



1081-0170
CZ P-10 SILENCER - HQH GIS PSR 9/5 (COMPACT)



1081-0171
CZ P-10 SILENCER - HQH GIS PSR 9/7 (STANDARD)



3660-0040
TACTICAL LIGHT - OLIGHT VALKYRIE MINI 2



3660-0041
TACTICAL LIGHT - OLIGHT VALKYRIE MINI 2



3660-0023
TACTICAL LIGHT INFORCE WILD 1



5118-0004-01
CZ P-10 CASE - NANUK BLACK

5118-0004-02
CZ P-10 CASE - NANUK OLIVE

5118-0004-03
CZ P-10 CASE - NANUK TAN

5118-0004-04
CZ P-10 CASE - NANUK GRAPHITE

5118-0004-05
CZ P-10 CASE - NANUK SILVER



3660-0024
TACTICAL LIGHT INFORCE WILD 2



5118-0005-01
CZ SHADOW 2 CASE - NANUK BLACK

5118-0005-02
CZ SHADOW 2 CASE - NANUK OLIVE

5118-0005-03
CZ SHADOW 2 CASE - NANUK TAN

5118-0005-04
CZ SHADOW 2 CASE - NANUK GRAPHITE

5118-0005-05
CZ SHADOW 2 CASE - NANUK SILVER

5118-0005-06
CZ SHADOW 2 CASE - NANUK ORANGE

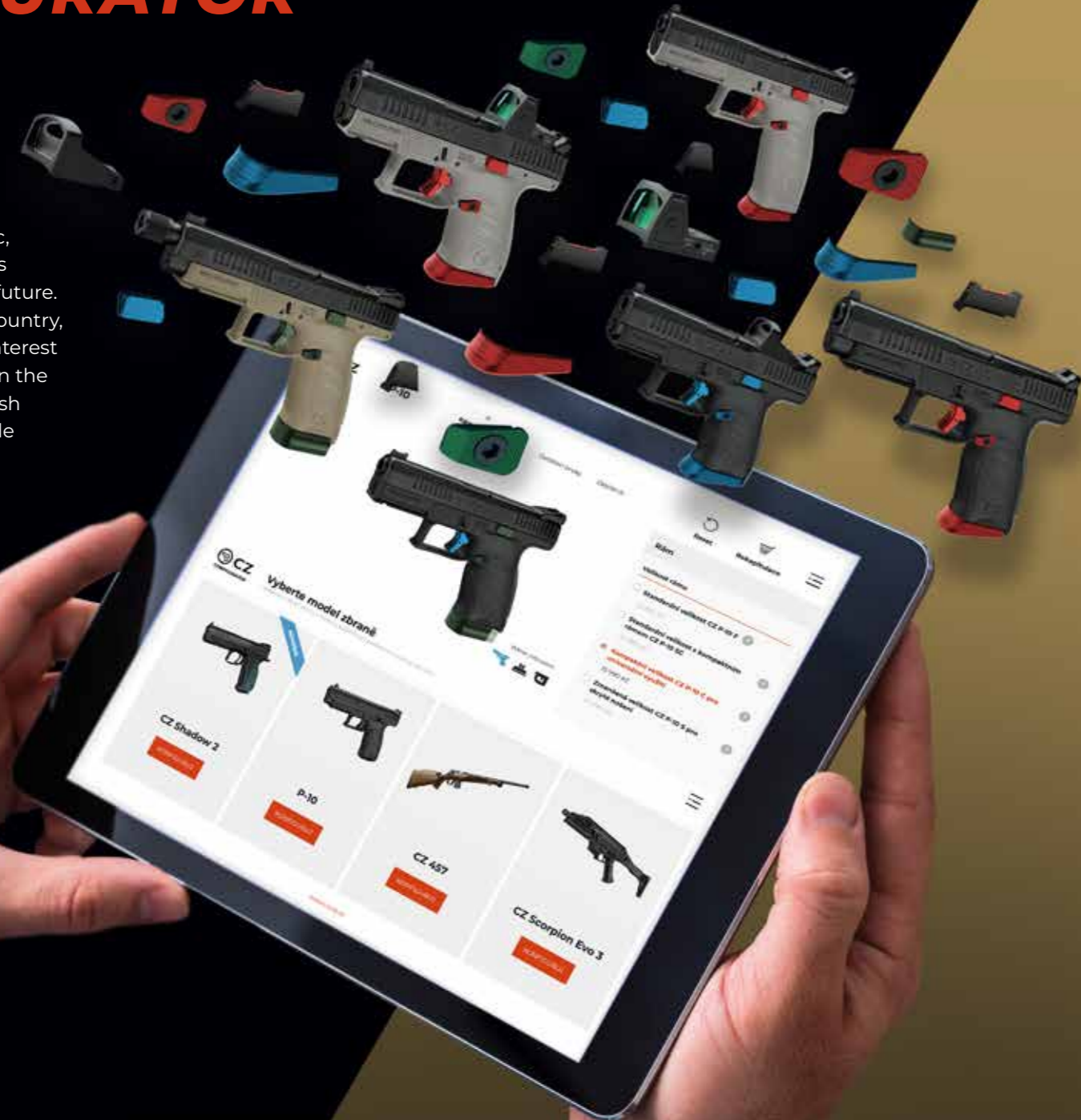
CZ CONFIGURATOR

Build the weapon
of your dreams

As of January 2021, the CZ Configurator has been launched in the Czech Republic, Slovakia, Poland and Germany, with plans to expand to other countries in the near future. If the CZ Configurator is not yet in your country, contact your local CZ Dealer to express interest in gaining access to this unique service. In the meantime, you can fully try out the English version of the CZ Configurator at /QR code with website/.



czconfigurator.com



CZ EXPORT



