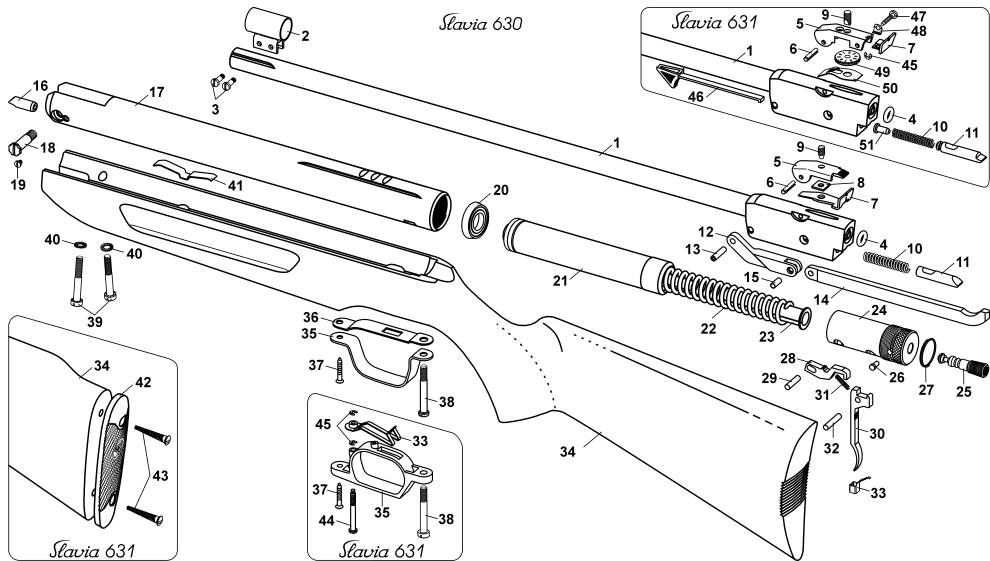
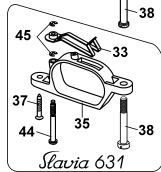
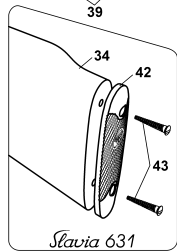


Slavia 630



Slavia 631



LIST OF PARTS

- | | |
|-------------------------------|----------------------------------|
| 1 Barrel | 28 Sear |
| 2 Front Sight | 29 Pin 4x16 |
| 3 Front Sight Screw (2x) | 30 Trigger |
| 4 O-Ring | 31 Trigger Spring |
| 5 Rear Sight Leaf * | 32 Pin 4x20 |
| 6 Rear Sight Leaf Pin | 33 Trigger Spring * |
| 7 Rear Sight Blade * | 34 Stock * |
| 8 Rear Sight Insert * | 35 Trigger Guard * |
| 9 Rear Sight Vertical Screw * | 36 Trigger Guard Pad * |
| 10 Fixing Plunger Spring * | 37 Trigger Guard Screw |
| 11 Fixing Plunger * | 38 Stock Screw - Rear * |
| 12 Link | 39 Stock Screw - Front (2x) * |
| 13 Link Pin | 40 Washer (2x) |
| 14 Cocking Lever | 41 Guide |
| 15 Cocking Lever Pin | 42 Buttplate * |
| 16 Stop | 43 Buttplate Screw (2x) * |
| 17 Body Tube * | 44 Adjusting Screw * |
| 18 Connection Screw | 45 Retaining Yoke Spring (3x) * |
| 19 Screw | 46 Pull Bar * |
| 20 Piston Seal | 47 Horizontal Screw * |
| 21 Piston | 48 Spring Washer * |
| 22 Main Spring | 49 Rear Sight Blade * |
| 23 Spring Guide | 50 Rear Sight Spring * |
| 24 Body Tube End Plug | 51 Fixing Plunger Spring Guide * |
| 25 Safety | |
| 26 Safety Catch | |
| 27 Safety Catch Spring | |

The parts marked * differ according to versions, or as case may be in some versions are entirely missing.